



E-CATALOGUE



FACEBOOK



INSTAGRAM



WEBSITE

SHOWCASE THE EXTRAVAGANCE

CURA
sanitary ware

CURA
sanitary ware

THE ART OF
LAVATORY



A Classic Never Goes Out Of *Style...*

CURA
sanitary ware

CURA SANITARYWARE
Shapar Village, Nr. Pavadiyari Bus Stop,
Jetpar Road, Morbi - 363630 (Guj.) INDIA.

Cell : +91 95125 80001/3
E-mail : curasanitaryware@gmail.com
Web. : www.curasanitaryware.com

Contents.

01

One Piece Closet.
01 - 08

02

Wall Hung Closet.
09 - 12

03

Table Top Wash Basin.
13 - 28

04

Full Pedestal Set
Wash Basin.
29 - 36

05

Half pedestal Set
Wash Basin.
37 - 42

06

Wash Basin.
43 - 50

07

Counter Wash Basin.
51 - 52

08

One Piece Basin.
53 - 54

09

Water Closet.
55 - 56

10

Pan & Urinal.
57 - 60

11

Designer One Piece &
Wall Hung Closet.
61 - 68

12

Designer Poppy Set.
69 - 72

13

Designer One Piece
Basin.
73 - 76

14

Designer Vitrosa Set.
77 - 82

15

Designer Table Top.
83 - 100

16

Color Water Closet.
101

17

Seat Cover.
101 - 102

18

Tank.
103

19

Fitting Accessories.
104

Slender
Beauty

Indulge in the slender beauty of our luxurious and sophisticated sanitary ware collection.

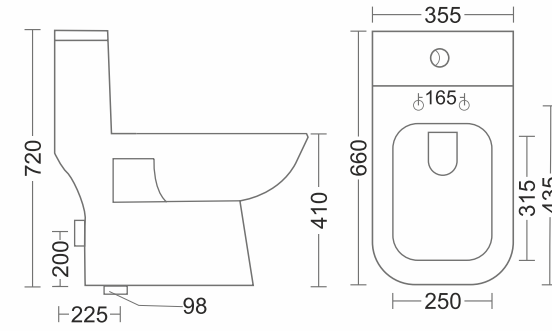
CURA
sanitary ware





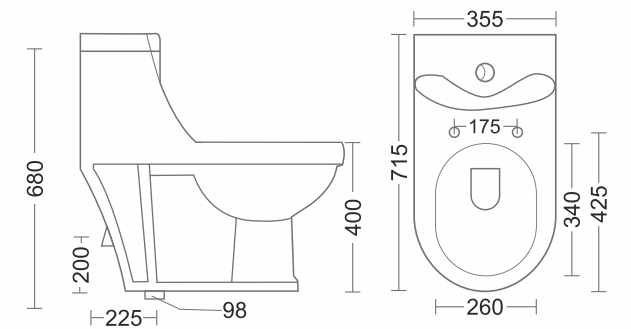
SEPAL - 1002

660 x 355 x 720mm
'S' Trap: 225mm
'P' Trap: 200mm
Weight: 46Kg.



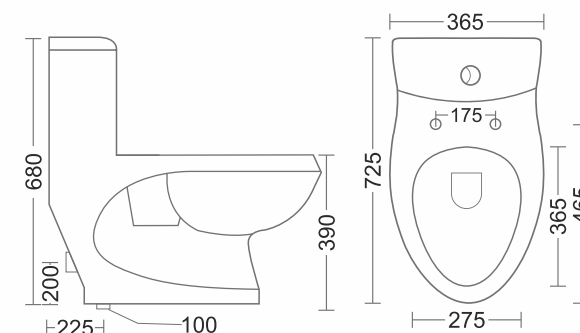
SOBER - 1003

715 x 355 x 680mm
'S' Trap: 225mm
'P' Trap: 200mm
Weight: 44Kg.



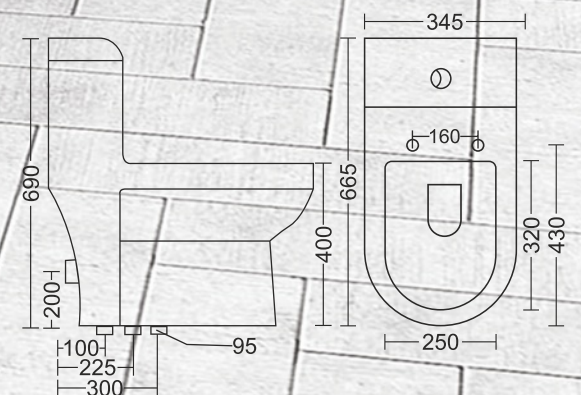
COLWIN - 1004

725 x 365 x 680mm
'S' Trap: 225mm
'P' Trap: 200mm
Weight: 45Kg.



CANDY - 1001

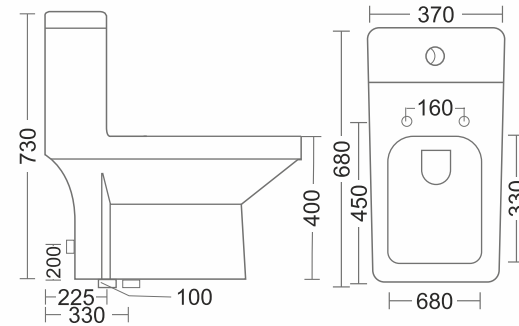
665 x 345 x 690mm
'S' Trap: 100, 225 & 300mm
'P' Trap: 200mm
Weight: 45Kg.





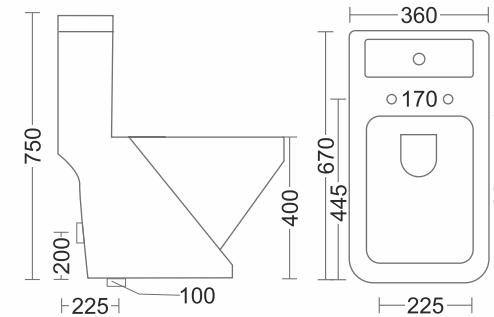
ADAM - 1005

680 x 370 x 730mm
'S' Trap: 225 & 300mm
'P' Trap: 200mm
Weight: 46Kg.



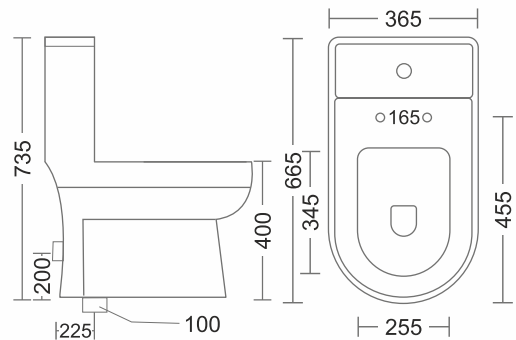
TITAN - 1008

670 x 360 x 750mm
'S' Trap: 225mm
'P' Trap: 200mm
Weight: 48Kg.



JUMBO - 1006

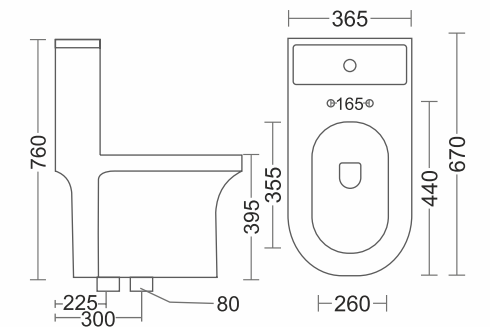
665 x 365 x 735mm
'S' Trap: 225mm
'P' Trap: 200mm
Weight: 46Kg.



ROYAL - 1009 (SYPHONIC)

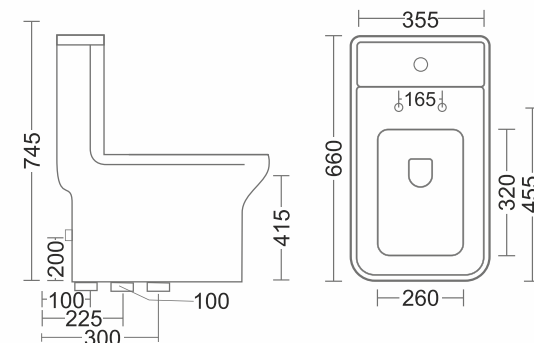
670 x 365 x 760mm
'S' Trap: 225 & 300mm
Weight: 43Kg.

- Rimless
- Syphonic Flush



COBIO - 1007

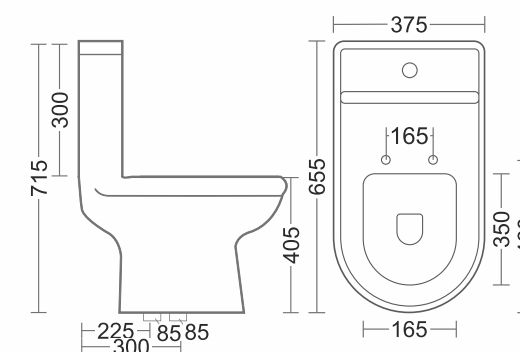
660 x 355 x 745mm
'S' Trap: 100, 225 & 300mm
'P' Trap: 200mm
Weight: 46Kg.



AMAZE (4D) - 1014

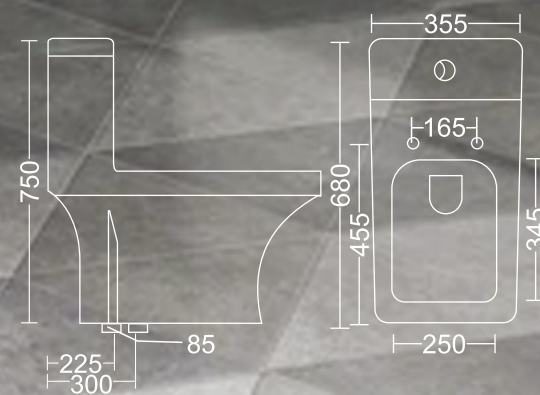
655 x 375 x 715mm
'S' Trap: 225 & 300mm
Weight: 46Kg.

- Rimless
- Syphonic Flush



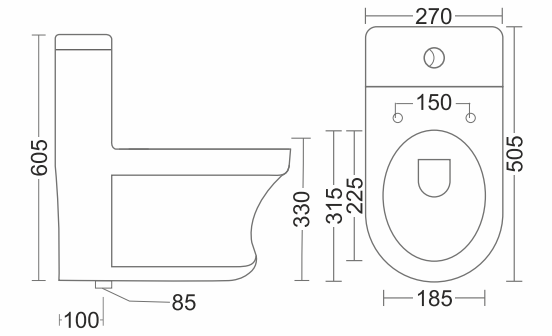


MATRIX (4D) - 1015
 Rimless
 Syphonic Flush
 680 x 355 x 750mm
 'S' Trap: 225 & 300mm
 Weight: 46Kg.



CHAMP (KIDS) - 1016

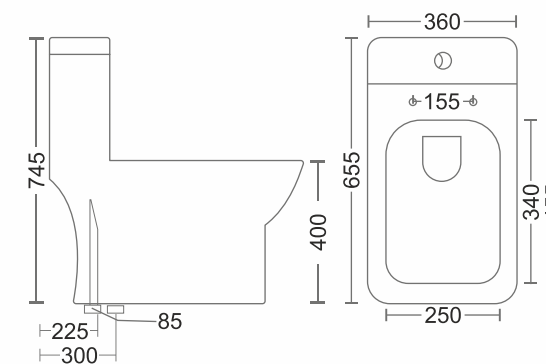
505 x 270 x 605mm
 'S' Trap: 100mm
 Weight: 32Kg.



ULTRA (4D) - 1017

655 x 360 x 745mm
 'S' Trap: 225 & 300mm
 Weight: 45Kg.

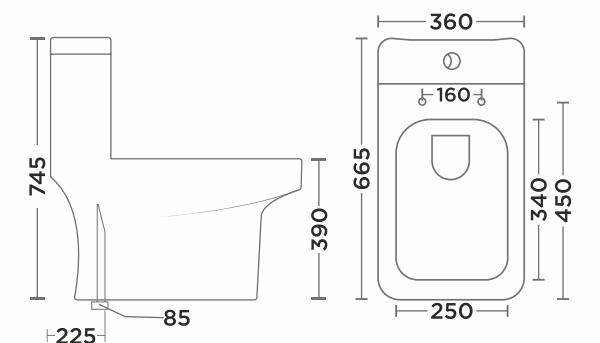
- Rimless 
- Syphonic Flush 



TANGO (4D) - 1018

665 x 360 x 745mm
 'S' Trap: 225mm
 Weight: 48Kg.

- Rimless 
- Syphonic Flush 



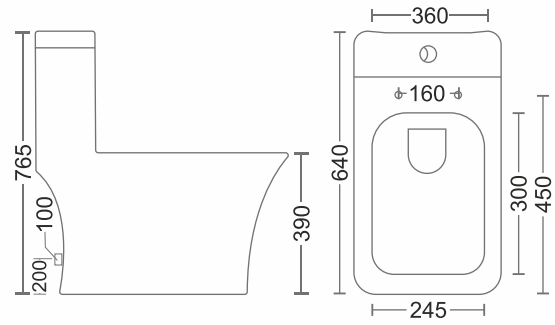
One Piece Closet. CLOSET



LIBRA - 1019 (SYPHONIC 'P')

640 x 360 x 765mm
 'P' Trap: 185mm
 Weight: 48Kg.

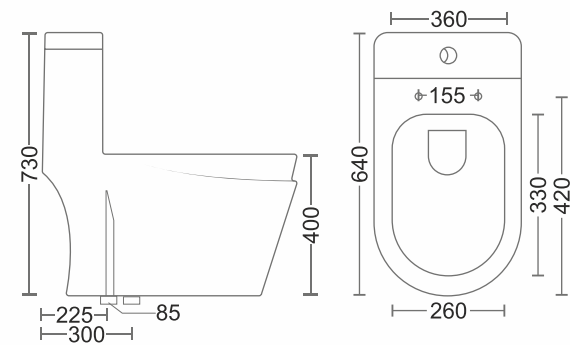
- Rimless
- Syphonic Flush



SPANIA (4D) - 1021

640 x 360 x 730mm
 'S' Trap: 225 & 300mm
 Weight: 48Kg.

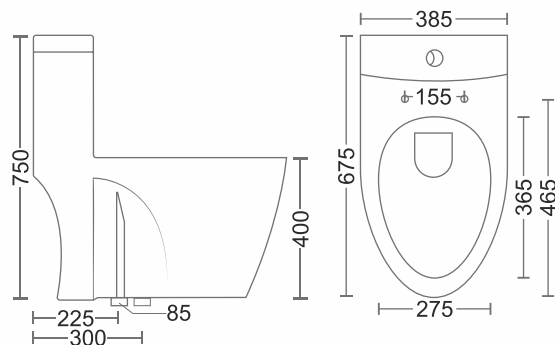
- Rimless
- Syphonic Flush



FLORA (4D) - 1023

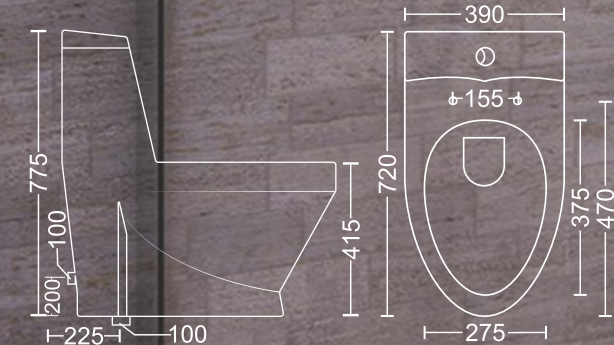
675 x 385 x 750mm
 'S' Trap: 225 & 300mm
 Weight: 49Kg.

- Rimless
- Syphonic Flush



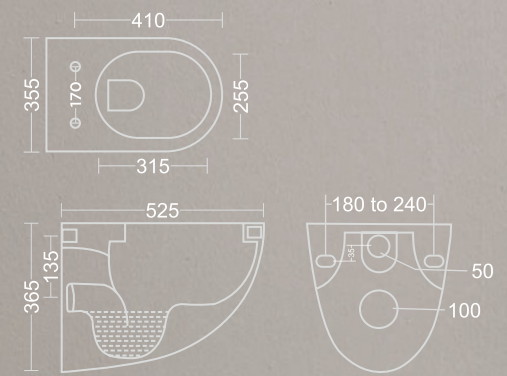
ITANO - 1022

720 x 390 x 775mm
 'S' Trap: 225mm
 'P' Trap: 200mm
 Weight: 49Kg.



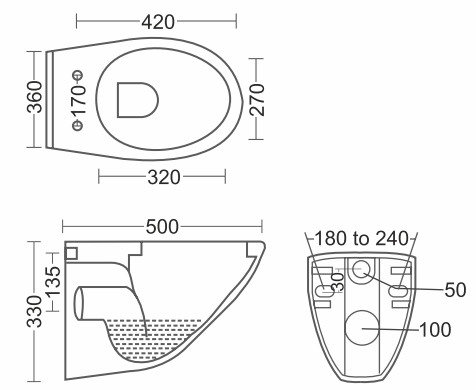
CRYSTAL - 2001

525 x 355 x 365mm
 Weight: 17Kg.
 Seat Cover Weight: 1.5Kg.
 Seat Cover No.: 729



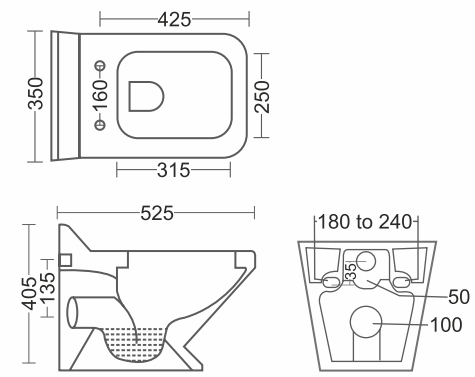
BABY - 2002

500 x 360 x 330mm
 Weight: 15Kg.
 Seat Cover Weight: 1.5Kg.
 Seat Cover No.: 775



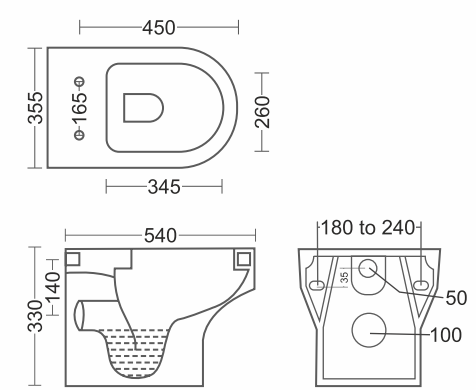
TITAN - 2004

525 x 350 x 405mm
 Weight: 25Kg.
 Seat Cover Weight: 1.5Kg.
 Seat Cover No.: 735 Regular



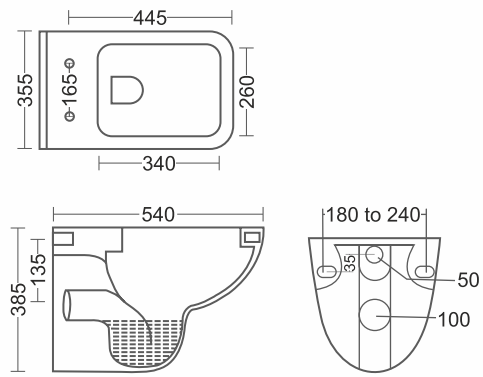
CENTRO - 2005

540 x 355 x 330mm
 Weight: 20Kg.
 Seat Cover Weight: 1.5Kg.
 Seat Cover No.: 740



CENIGMA - 2006

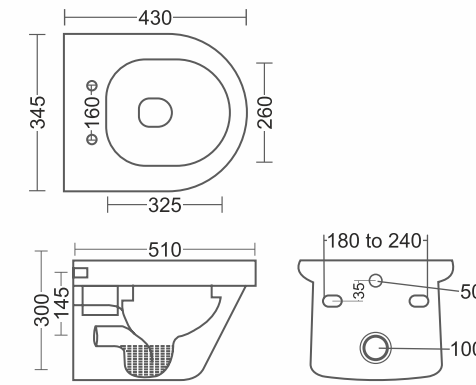
540 x 355 x 385mm
Weight: 19Kg.
Seat Cover Weight: 1.5Kg.
Seat Cover No.: 743



CELLO - 2009

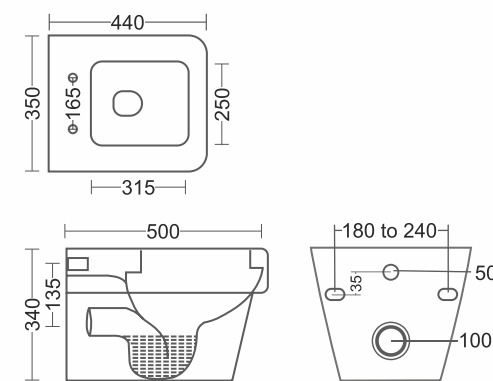
510 x 345 x 300mm
Weight: 20Kg.
Seat Cover Weight: 1.5Kg.
Seat Cover No.: 740

Rimless



VIVO - 2007

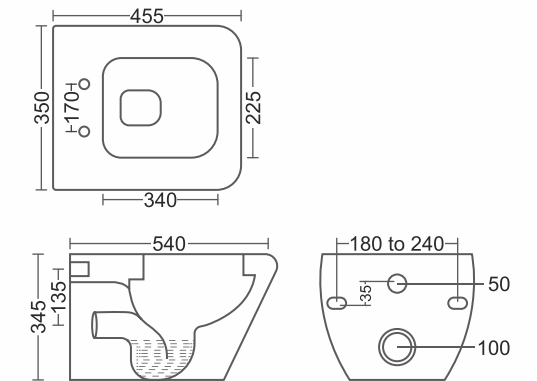
500 x 350 x 340mm
Weight: 22Kg.
Seat Cover Weight: 1.5Kg.
Seat Cover No.: 743



EFFO - 2010

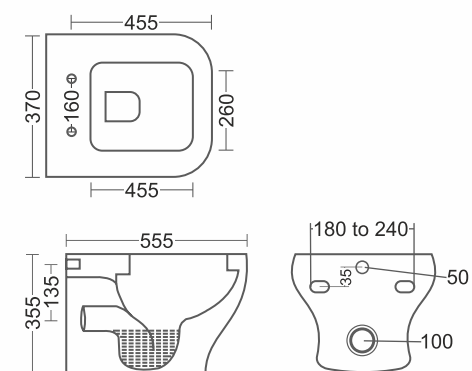
540 x 350 x 345mm
Weight: 29Kg.
Seat Cover Weight: 1.5Kg.
Seat Cover No.: 743

Rimless



KERO - 2008

555 x 370 x 355mm
Weight: 22Kg.
Seat Cover Weight: 1.5Kg.
Seat Cover No.: 743



LOTTO - 2011

530 x 365 x 360mm
Weight: 22Kg.
Seat Cover Weight: 1.5Kg.
Seat Cover No.: 740

Rimless

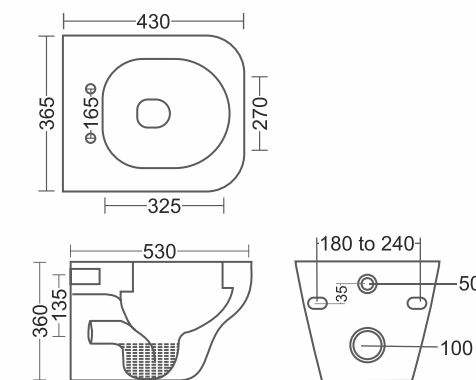
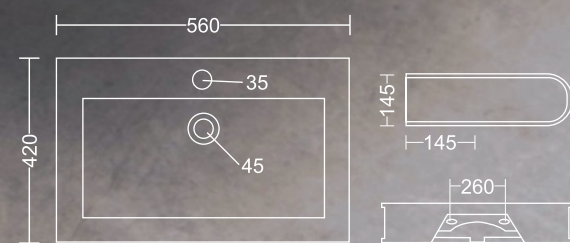


Table Top Wash Basin.



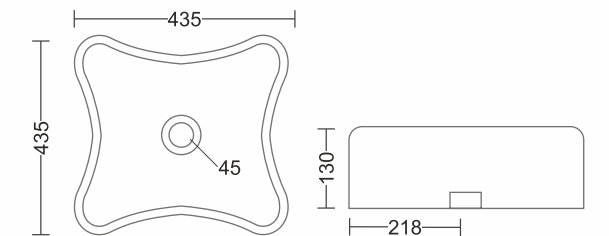
KING - 3001

560 x 420 x 145mm
23" x 17"
Weight: 14Kg.



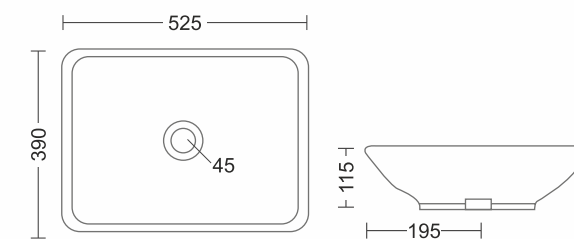
CRAZE - 3002

435 x 435 x 130mm
17" x 17"
Weight: 11Kg.



RADO - 3003

525 x 390 x 115mm
21" x 16"
Weight: 10Kg.



MANGO - 3004

500 x 345 x 140mm
20" x 14"
Weight: 09Kg.

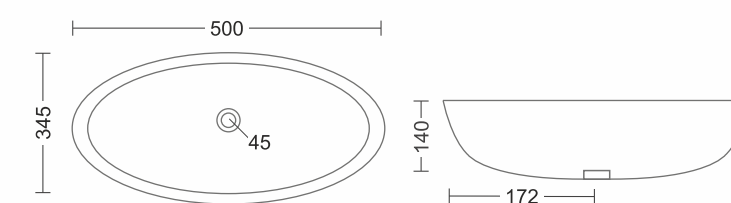
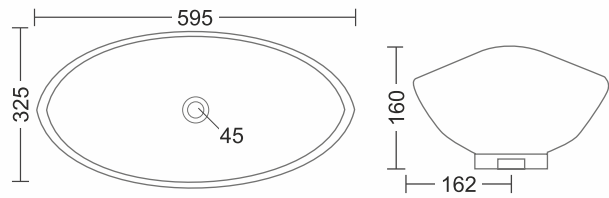


Table Top Wash Basin.



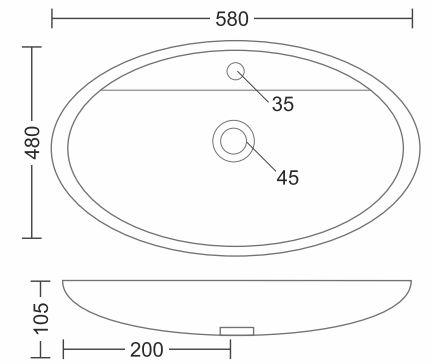
CATE - 3005

595 x 325 x 160mm
24" x 13"
Weight: 07Kg.



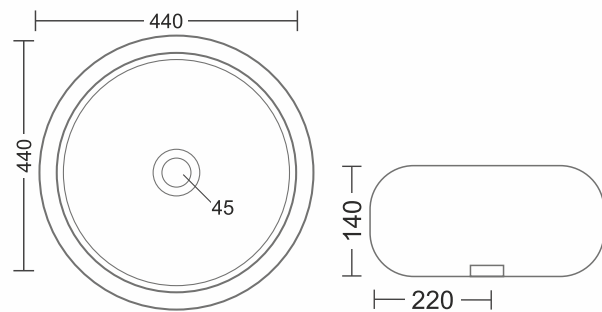
APAL - 3008

580 x 405 x 105mm
23" x 16"
Weight: 09Kg.



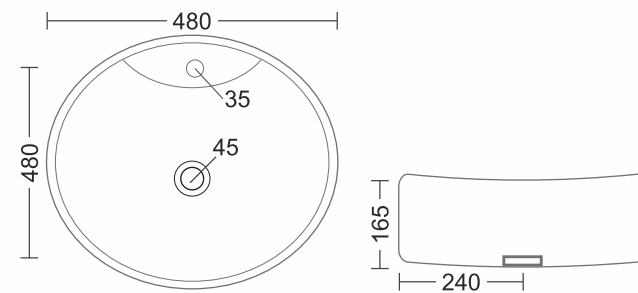
VENTO - 3006

440 x 440 x 140mm
18" x 18"
Weight: 08Kg.



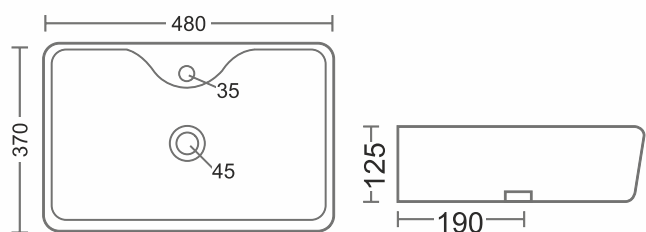
LIWA - 3009

480 x 480 x 160mm
19" x 19"
Weight: 13Kg.



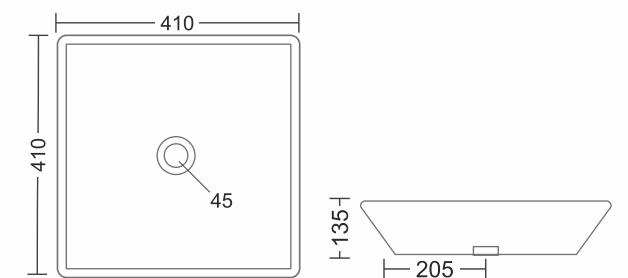
OPEL - 3007

480 x 370 x 125mm
19" x 15"
Weight: 10Kg.



ZETA - 3010

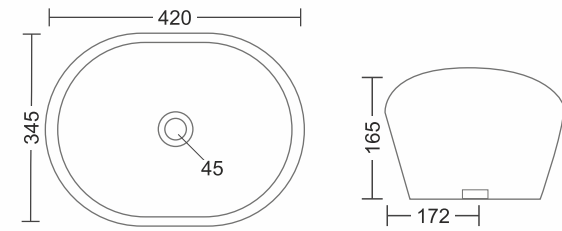
410 x 410 x 135mm
16" x 16"
Weight: 10Kg.





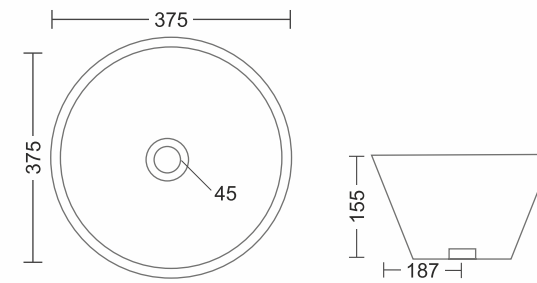
PASSAT - 3011

420 x 345 x 165mm
17" x 14"
Weight: 07Kg.



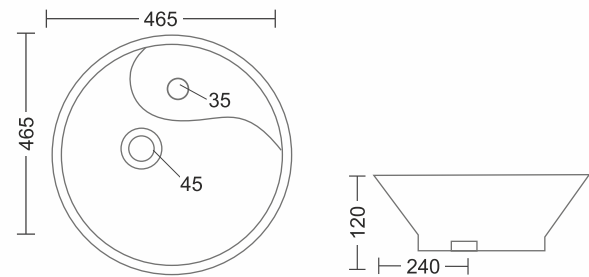
NOTA - 3014

375 x 375 x 155mm
15" x 15"
Weight: 06Kg.



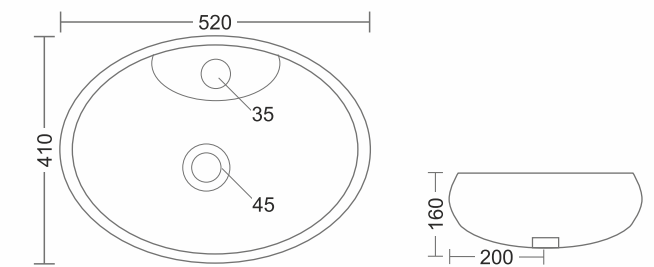
LOTUS - 3012

465 x 465 x 120mm
19" x 19"
Weight: 09Kg.



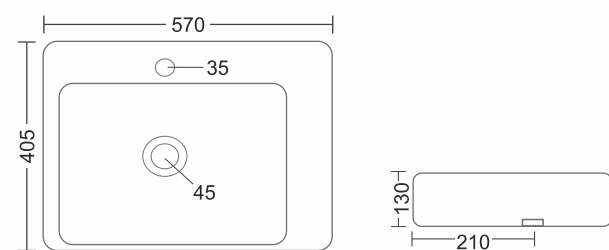
EVOK - 3015

520 x 410 x 160mm
21" x 17"
Weight: 10Kg.



AERO - 3013

570 x 405 x 130mm
23" x 16"
Weight: 16Kg.



CORNER - 3016

400 x 400 x 150mm
16" x 16"
Weight: 09Kg.

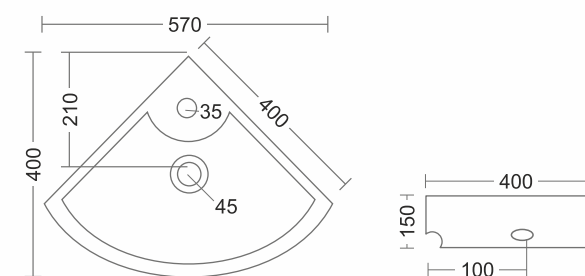
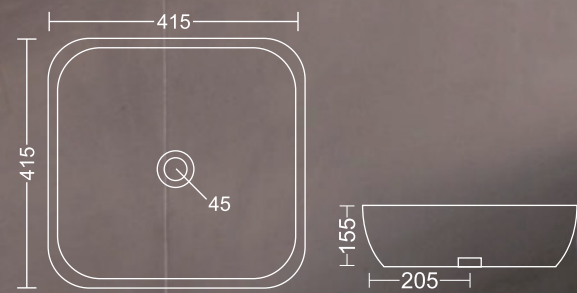


Table Top Wash Basin.



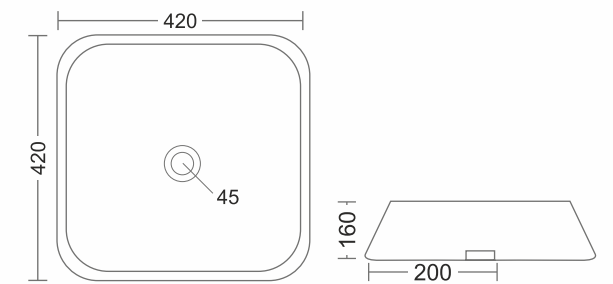
CRYSTA - 3017

415 x 415 x 155mm
17" x 17"
Weight: 09Kg.



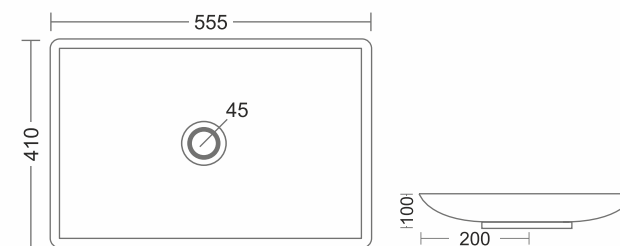
QUAD - 3018

420 x 420 x 160mm
17" x 17"
Weight: 12Kg.



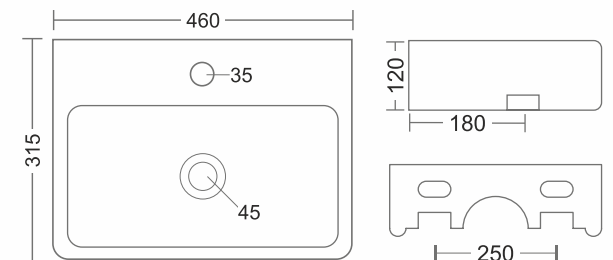
SHALLOW - 3019

555 x 410 x 100mm
22" x 16"
Weight: 10Kg.



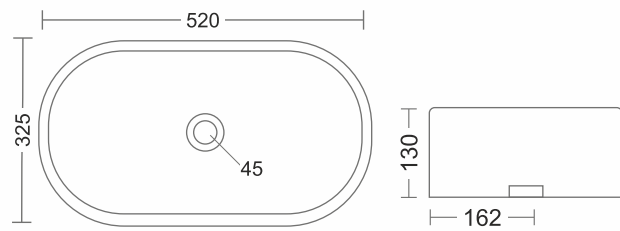
FAB - 3020

460 x 315 x 120mm
19" x 13"
Weight: 10Kg.



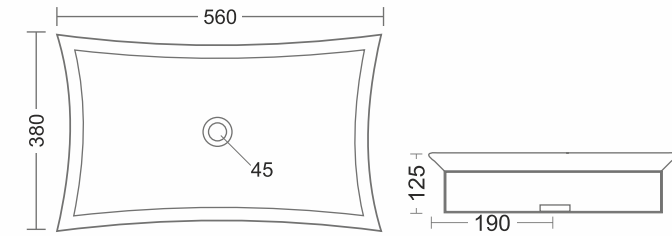
CAPSULE - 3021

520 x 325 x 130mm
21" x 13"
Weight: 08Kg.



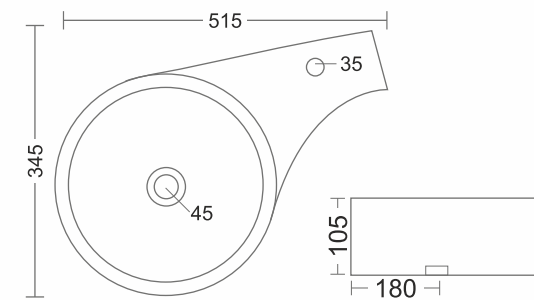
SIMCO - 3024

560 x 380 x 125mm
22" x 15"
Weight: 11Kg.



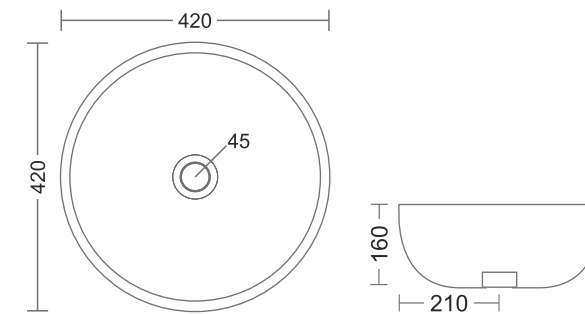
ICON - 3022

515 x 345 x 105mm
18" x 14"
Weight: 08Kg.



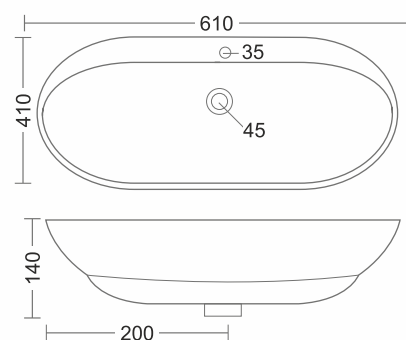
STAR - 3025

420 x 420 x 160mm
17" x 17"
Weight: 11Kg.



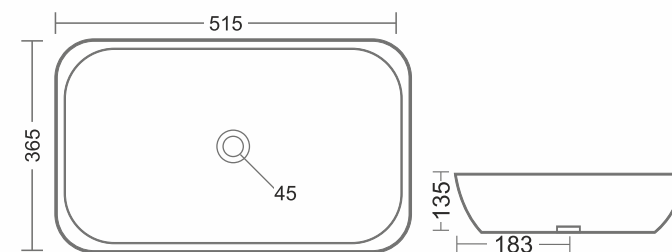
CORUS - 3023

610 x 410 x 140mm
24" x 16"
Weight: 11Kg.



CITIZEN - 3026

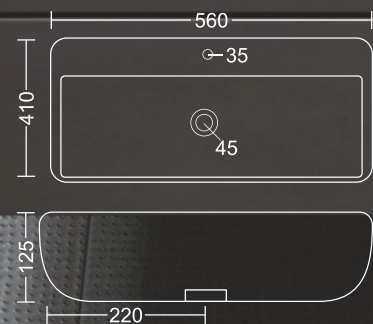
515 x 365 x 135mm
21" x 14"
Weight: 10Kg.





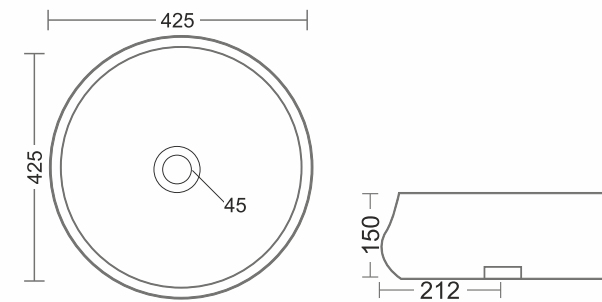
BANTY - 3027

560 x 410 x 125mm
22" x 17"
Weight: 11Kg.



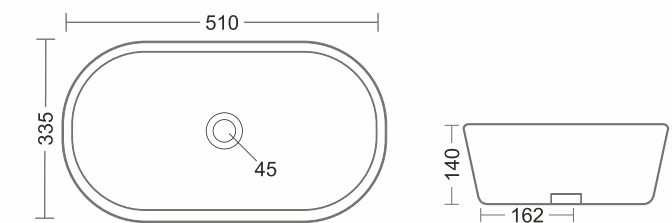
SPA - 3028

425 x 425 x 150mm
17" x 17"
Weight: 11Kg.



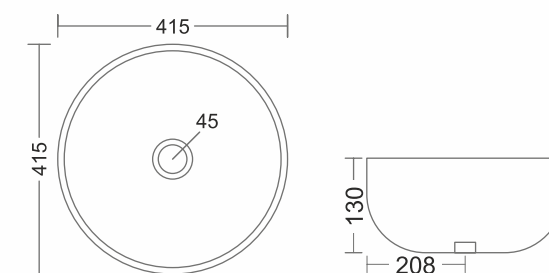
CHERRY - 3029

510 x 335 x 140mm
20" x 13"
Weight: 10Kg.



TRIO - 3030

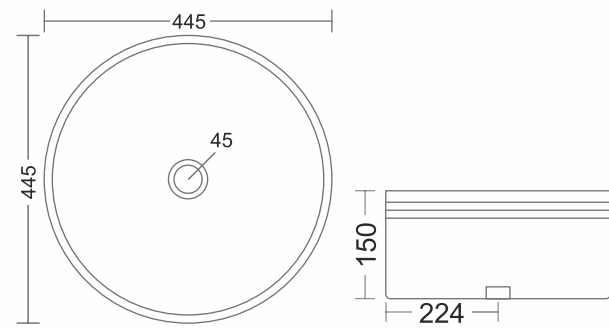
415 x 415 x 130mm
17" x 17"
Weight: 09Kg.





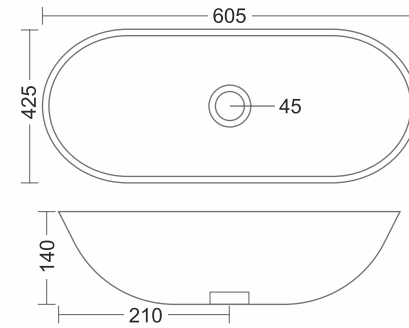
VITRA - 3031

445 x 445 x 150mm
18" x 18"
Weight: 11Kg.



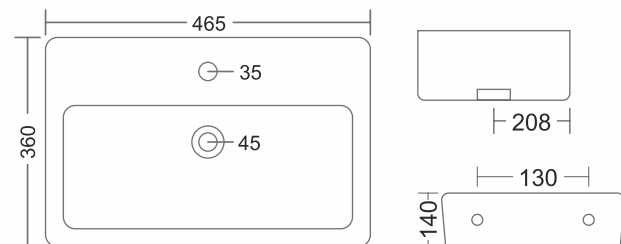
COSMO - 3034

605 x 425 x 140mm
24" x 17"
Weight: 14Kg.



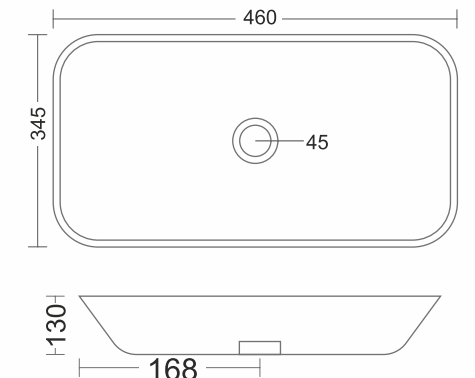
EXCEL - 3032

465 x 360 x 140mm
18" x 14"
Weight: 13Kg.



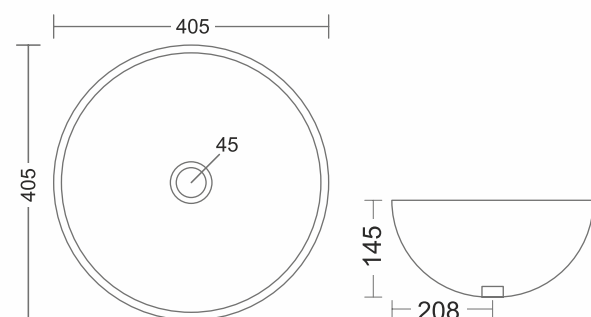
GALAXY - 3035

460 x 345 x 130mm
18" x 14"
Weight: 08Kg.



PEARL - 3033

405 x 405 x 145mm
16" x 16"
Weight: 07Kg.



ELINA - 3036

415 x 415 x 140mm
17" x 17"
Weight: 11Kg.

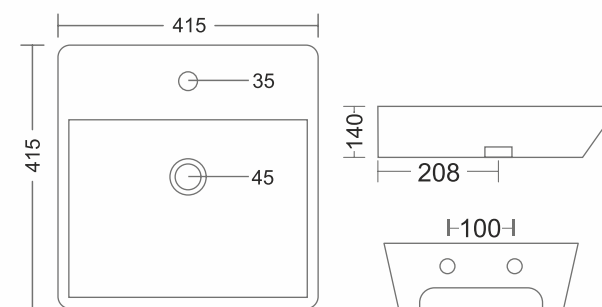


Table Top Wash Basin.



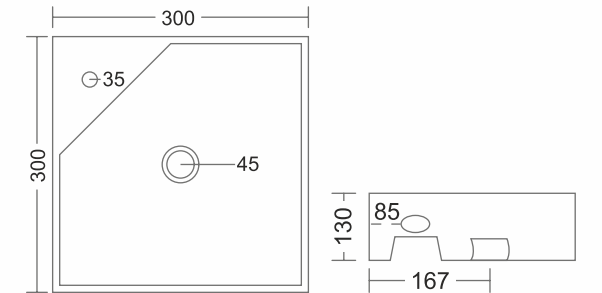
WAVE - 3037

315 x 315 x 140mm
13" x 13"
Weight: 07Kg.



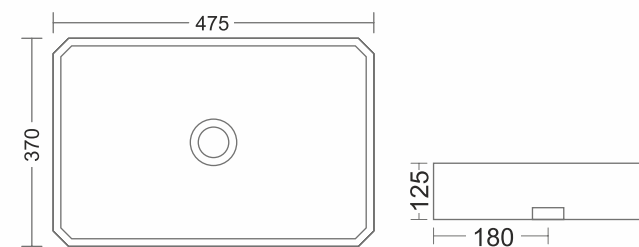
JUNIOR - 3038

300 x 300 x 130mm
12" x 12"
Weight: 08Kg.



SQUAD - 3039

475 x 370 x 125mm
19" x 15"
Weight: 13Kg.

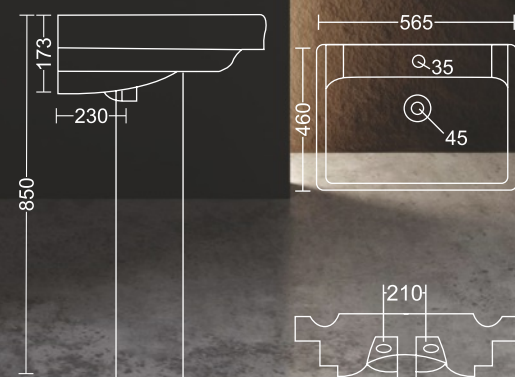


Full Pedestal Set Wash Basin. SET WASH BASIN



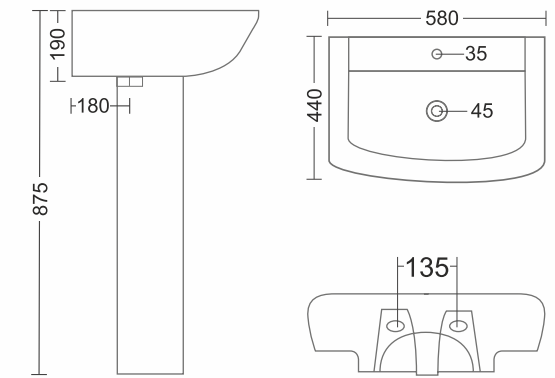
SPACY FULL SET - 4001

565 x 460 x 850mm
23" x 18"
Basin Weight: 16Kg.
Pedestal Weight: 11Kg.



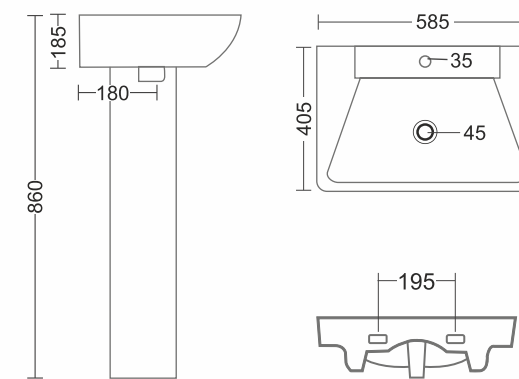
INNOVA FULL SET - 4002

580 x 440 x 875mm
23" x 18"
Basin Weight: 14Kg.
Pedestal Weight: 11Kg.



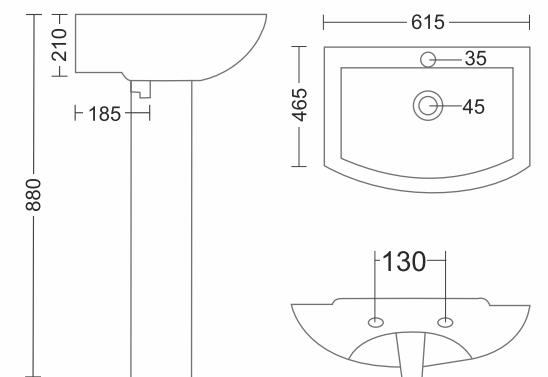
SOPHIA FULL SET - 4003

585 x 405 x 860mm
23" x 16"
Basin Weight: 12Kg.
Pedestal Weight: 11Kg.



CODY FULL SET - 4004

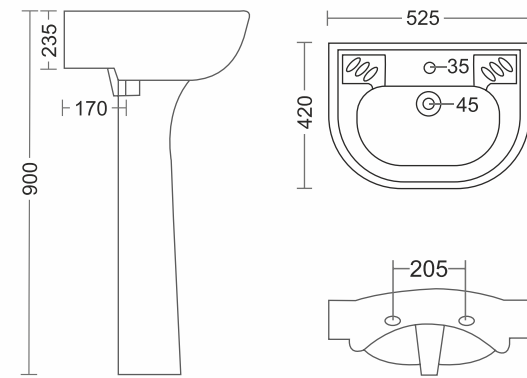
615 x 465 x 880mm
25" x 19"
Basin Weight: 17Kg.
Pedestal Weight: 11Kg.





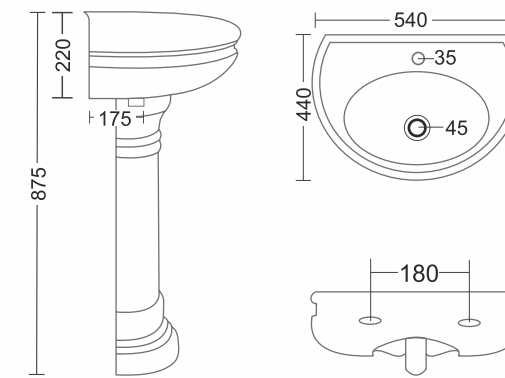
SIMON FULL SET - 4005

525 x 420 x 900mm
21" x 16"
Basin Weight: 13Kg.
Pedestal Weight: 09Kg.



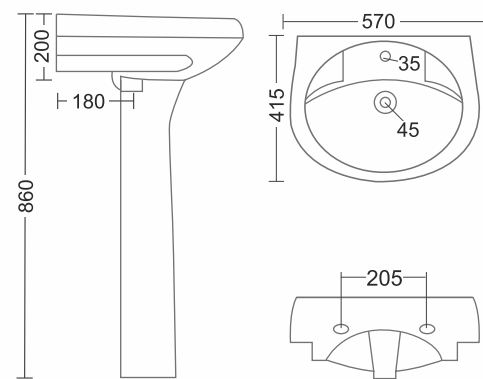
SMITH FULL SET - 4008

540 x 440 x 875mm
22" x 17"
Basin Weight: 12Kg.
Pedestal Weight: 10Kg.



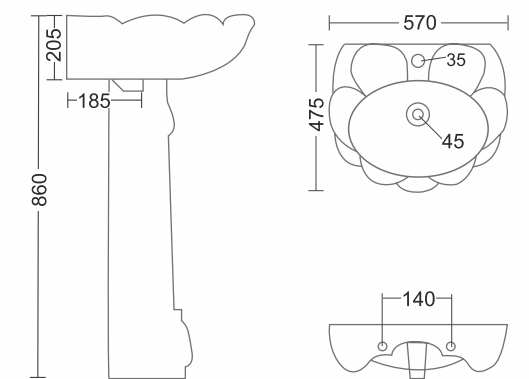
SAMITE FULL SET - 4006

570 x 415 x 860mm
23" x 16"
Basin Weight: 13Kg.
Pedestal Weight: 09Kg.



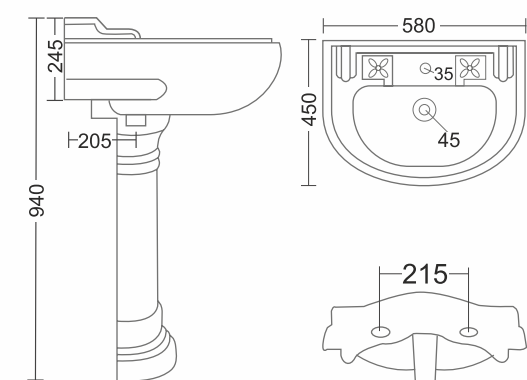
SUPREME FULL SET - 4009

570 x 475 x 860mm
23" x 18"
Basin Weight: 12Kg.
Pedestal Weight: 10Kg.



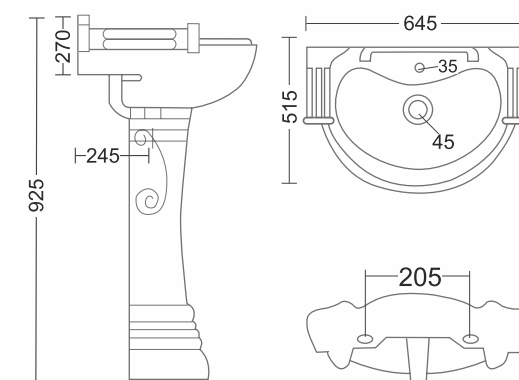
SERENA FULL SET - 4007

580 x 450 x 940mm
23" x 19"
Basin Weight: 15Kg.
Pedestal Weight: 10Kg.



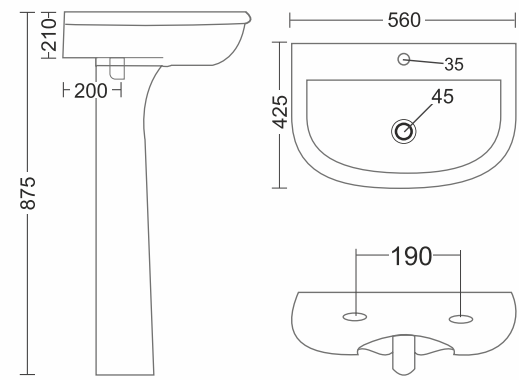
STERLING FULL SET - 4010

645 x 515 x 925mm
26" x 20"
Basin Weight: 20Kg.
Pedestal Weight: 10Kg.



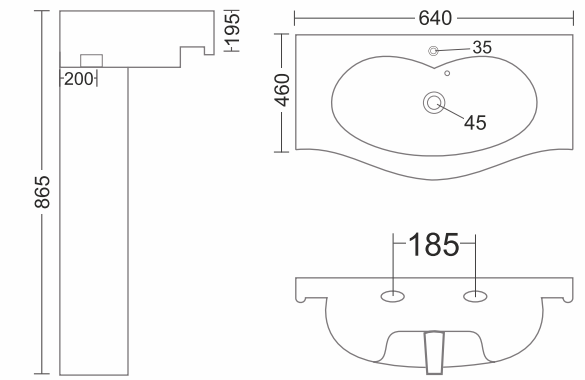
SWING FULL SET - 4011

560 x 425 x 875mm
23" x 17"
Basin Weight: 13Kg.
Pedestal Weight: 09Kg.



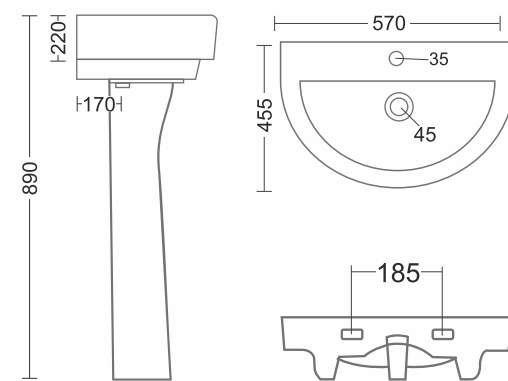
HEART FULL SET - 4052

640 x 460 x 865mm
26" x 18"
Basin Weight: 17Kg.
Pedestal Weight: 11Kg.



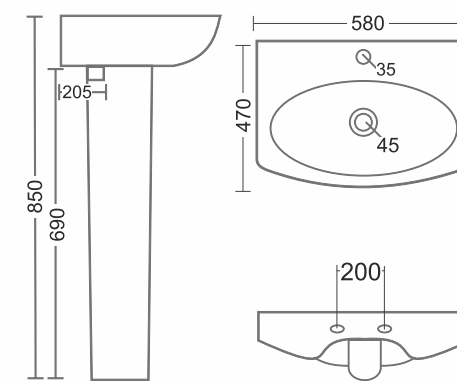
PLAZMA FULL SET - 4012

570 x 455 x 890mm
23" x 18"
Basin Weight: 16Kg.
Pedestal Weight: 09Kg.



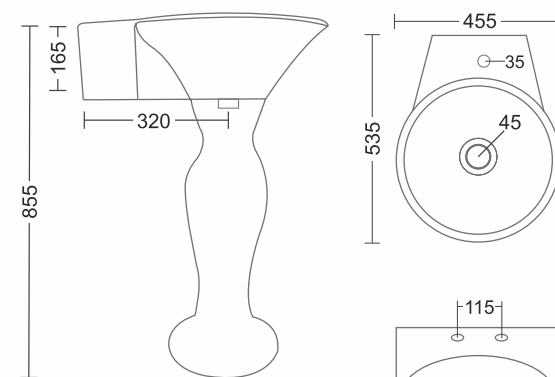
STELLA FULL SET - 4053

580 x 470 x 850mm
23" x 19"
Basin Weight: 14Kg.
Pedestal Weight: 11Kg.



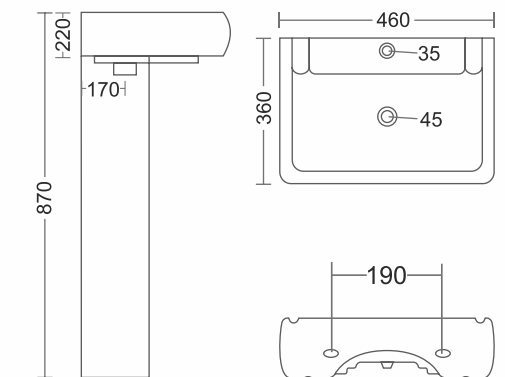
POPPY FULL SET - 4051

455 x 535 x 855mm
18" x 22"
Basin Weight: 12Kg.
Pedestal Weight: 13Kg.



ETOX FULL SET - 4054

460 x 360 x 870mm
18" x 14"
Basin Weight: 11Kg.
Pedestal Weight: 11Kg.

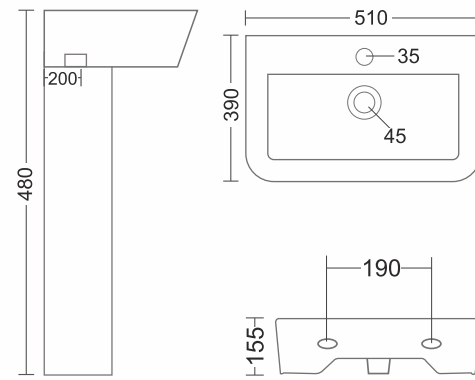


Full Pedestal Set Wash Basin



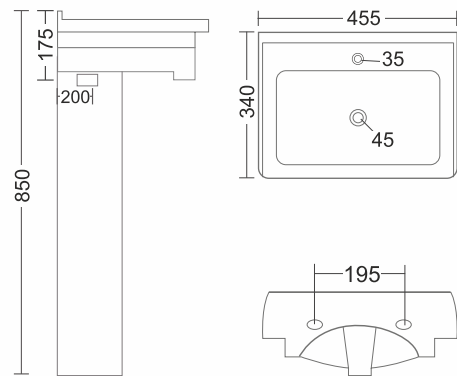
MARIN FULL SET - 4055

510 x 390 x 840mm
20" x 16"
Basin Weight: 12Kg.
Pedestal Weight: 11Kg.



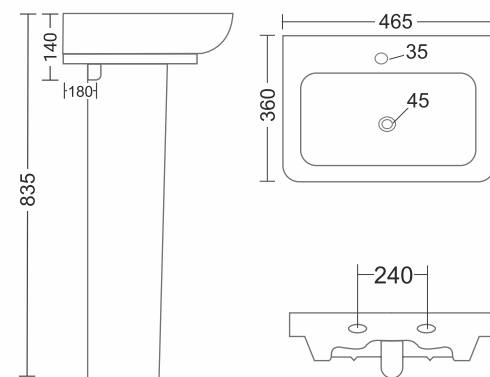
SWISS FULL SET - 4056

455 x 340 x 850mm
18" x 14"
Basin Weight: 08Kg.
Pedestal Weight: 11Kg.



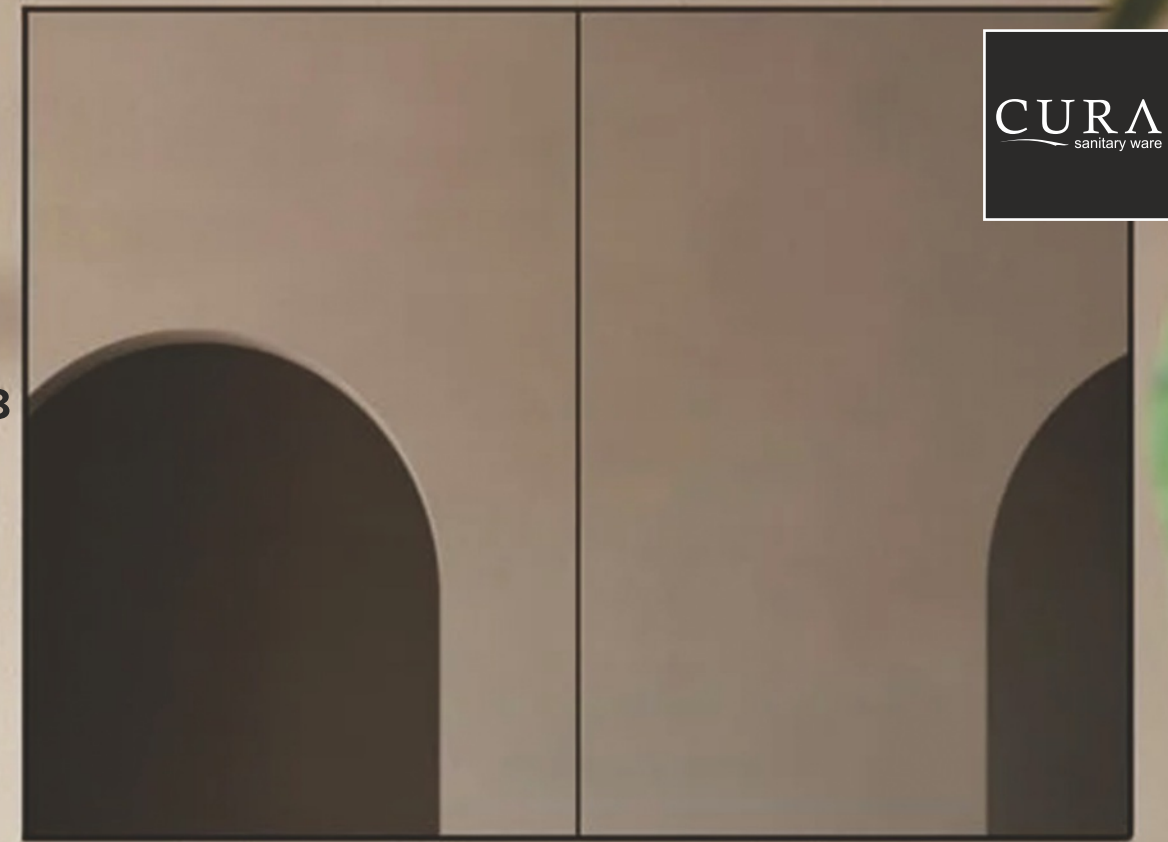
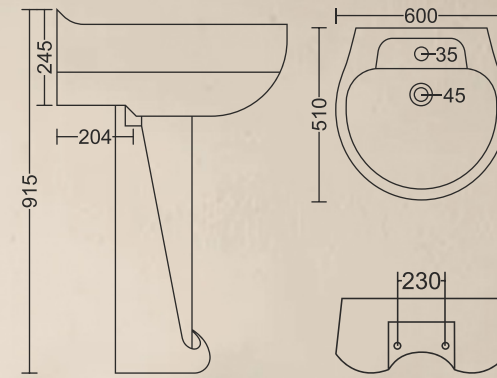
FUSION FULL SET - 4057

465 x 360 x 835mm
19" x 14"
Basin Weight: 12Kg.
Pedestal Weight: 11Kg.



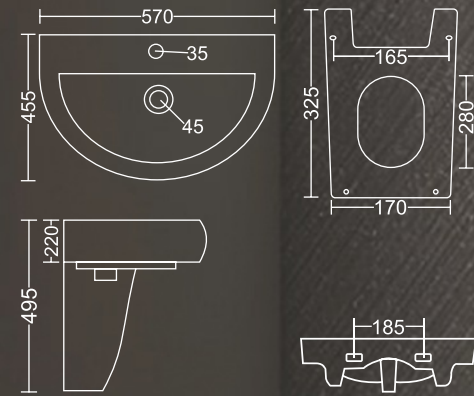
SWAN FULL SET - 4058

600 x 510 x 915mm
24" x 20"
Basin Weight: 16Kg.
Pedestal Weight: 13Kg.



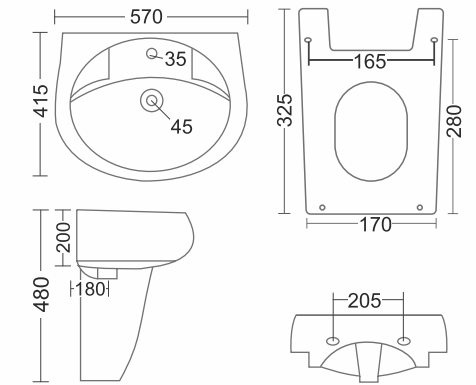
PLAZMA HALF SET - 4015

570 x 455 x 495mm
23" x 18"
Basin Weight: 16Kg.
Pedestal Weight: 06Kg.



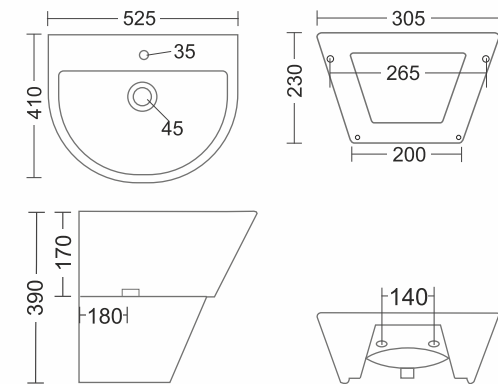
SAMITE HALF SET - 4016

570 x 415 x 480mm
23" x 16"
Basin Weight: 13Kg.
Pedestal Weight: 06Kg.



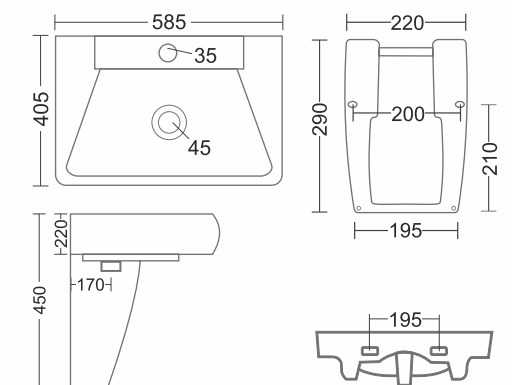
CUBIC HALF SET - 4017

525 x 410 x 390mm
21" x 16"
Basin Weight: 11Kg.
Pedestal Weight: 06Kg.



SOPHIA HALF SET - 4018

585 x 405 x 450mm
23" x 16"
Basin Weight: 12Kg.
Pedestal Weight: 08Kg.

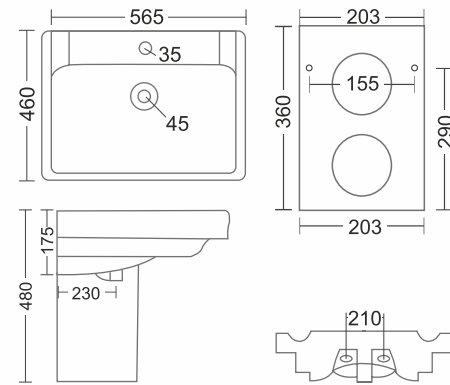


Half Pedestal Set Wash Basin



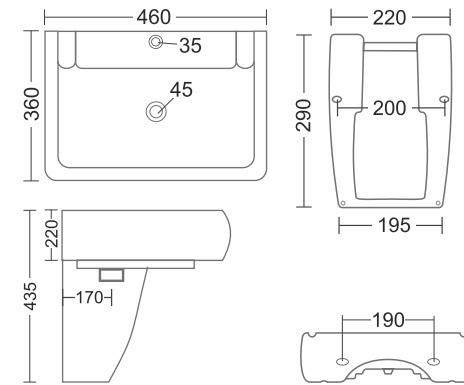
SPACY HALF SET - 4019

565 x 460 x 480mm
23" x 18"
Basin Weight: 16Kg.
Pedestal Weight: 08Kg.



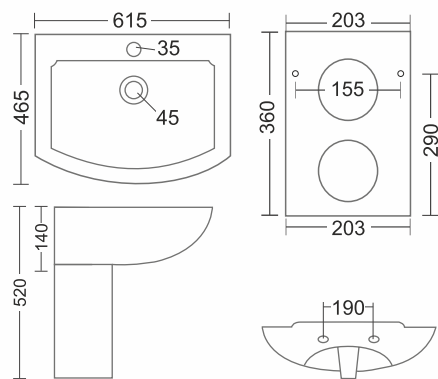
ETOX HALF SET - 4022

460 x 360 x 435mm
18" x 14"
Basin Weight: 11Kg.
Pedestal Weight: 08Kg.



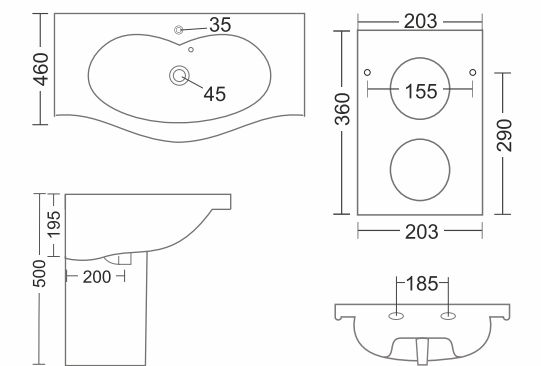
CODY HALF SET - 4020

615 x 465 x 520mm
25" x 19"
Basin Weight: 17Kg.
Pedestal Weight: 08Kg.



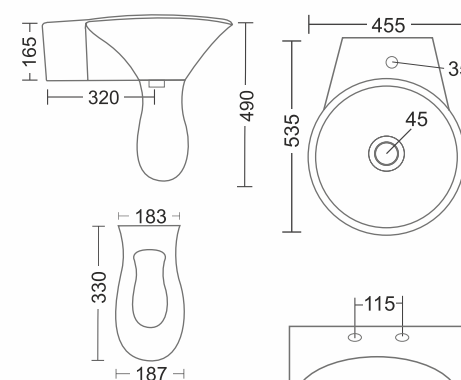
HEART HALF SET - 4023

640 x 460 x 500mm
26" x 18"
Basin Weight: 17Kg.
Pedestal Weight: 08Kg.



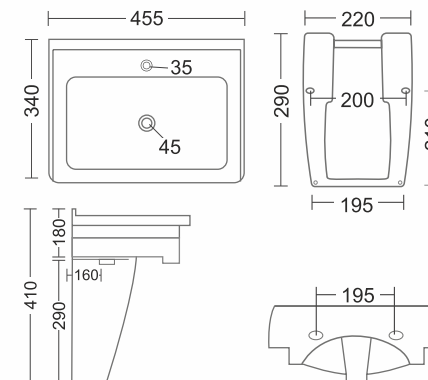
POPPY HALF SET - 4021

455 x 535 x 490mm
22" x 18"
Basin Weight: 12Kg.
Pedestal Weight: 04Kg.



SWISS HALF SET - 4024

455 x 340 x 410mm
18" x 14"
Basin Weight: 08Kg.
Pedestal Weight: 08Kg.

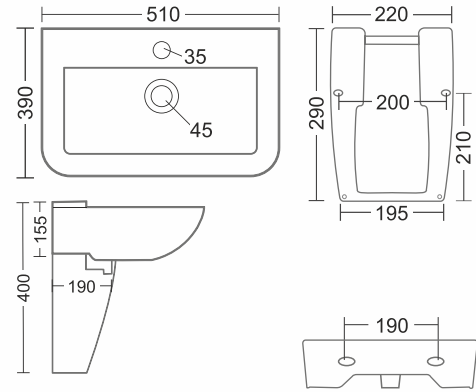


Half Pedestal Set Wash Basin



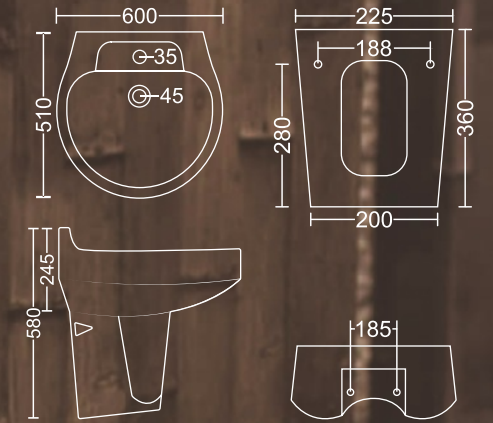
MARIN HALF SET - 4025

510 x 390 x 400mm
 20" x 16"
 Basin Weight: 12Kg.
 Pedestal Weight: 08Kg.



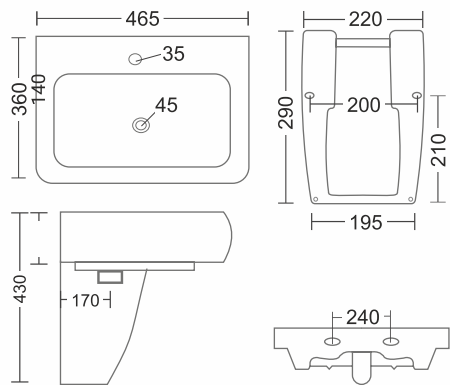
SWAN HALF SET - 4027

600 x 510 x 560mm
 24" x 20"
 Basin Weight: 16Kg.
 Pedestal Weight: 08Kg.



FUSION HALF SET - 4026

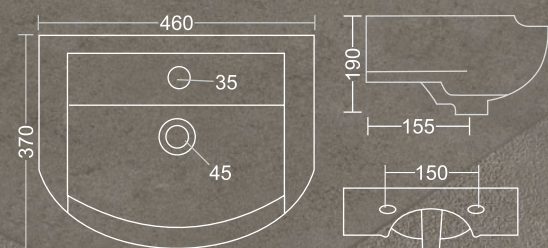
465 x 360 x 430mm
 19" x 14"
 Basin Weight: 12Kg.
 Pedestal Weight: 08Kg.





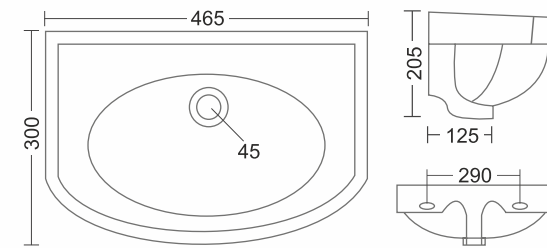
ALDEE - 5001

460 x 370 x 190mm
18" x 14"
Weight: 09Kg.



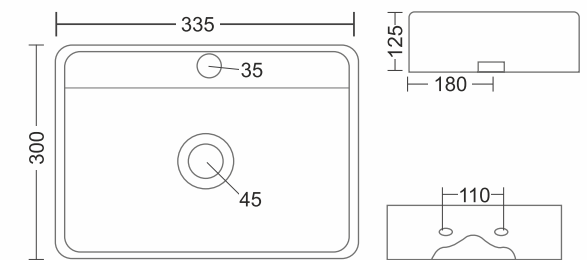
RIVA - 5002

465 x 300 x 205mm
18" x 12"
Weight: 09Kg.



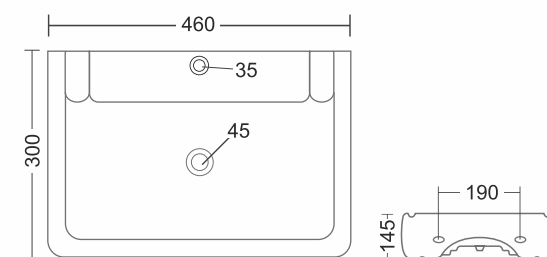
AUDI - 5003

335 x 275 x 125mm
13" x 11"
Weight: 07Kg.



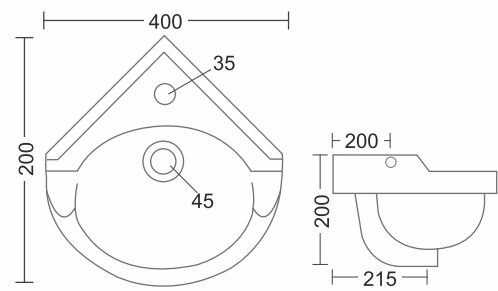
ETOX - 5004

460 x 360 x 145mm
18" x 14"
Weight: 11Kg.



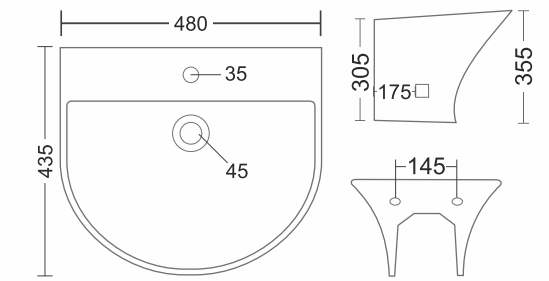
ROMY - 5005

400 x 400 x 200mm
16" x 16"
Weight: 06Kg.



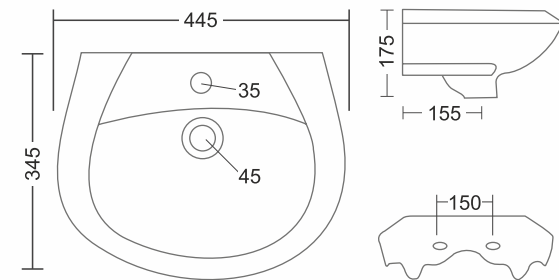
DOVEL - 5008

480 x 435 x 335mm
19" x 17"
Weight: 17Kg.



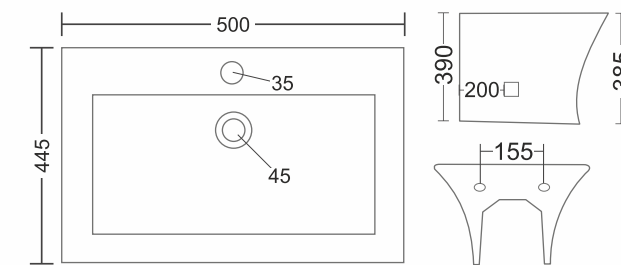
FIGO - 5006

445 x 345 x 175mm
18" x 14"
Weight: 08Kg.



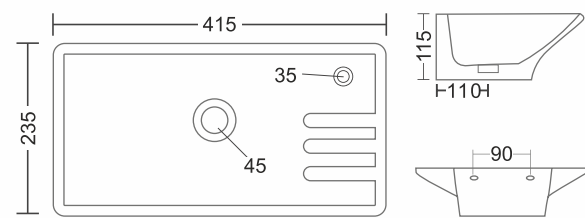
MARSH - 5009

500 x 445 x 390mm
20" x 18"
Weight: 27Kg.



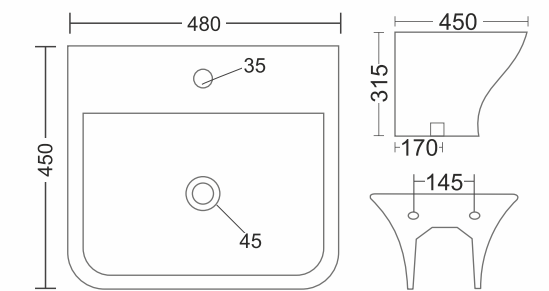
MINT - 5007

415 x 235 x 115mm
16" x 09"
Weight: 06Kg.



GLORY - 5010

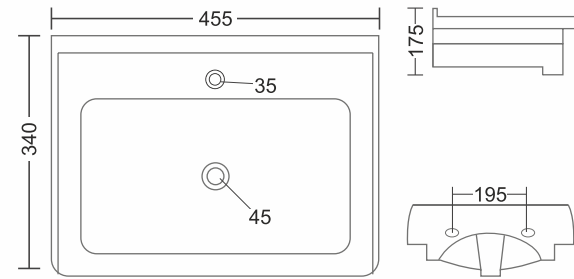
480 x 450 x 315mm
19" x 18"
Weight: 17Kg.





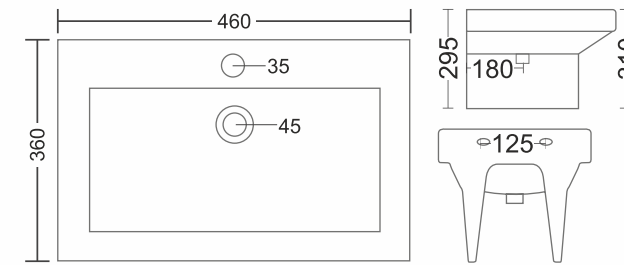
SWISS - 5016

455 x 340 x 175mm
18" x 14"
Weight: 08Kg.



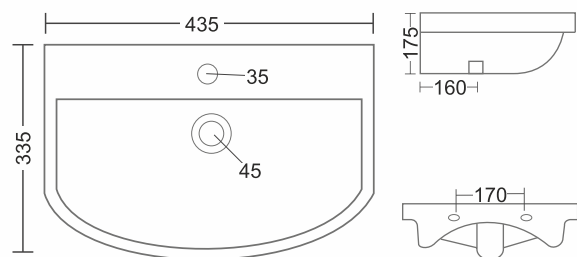
NICE - 5019

460 x 360 x 310mm
18" x 14"
Weight: 17Kg.



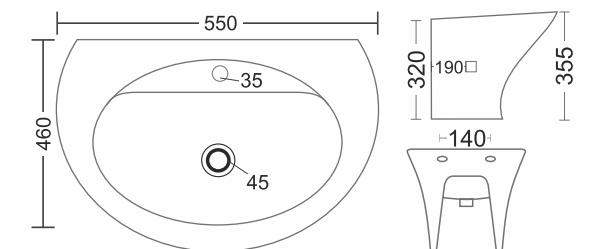
GRACY - 5017

435 x 335 x 175mm
17" x 14"
Weight: 08Kg.



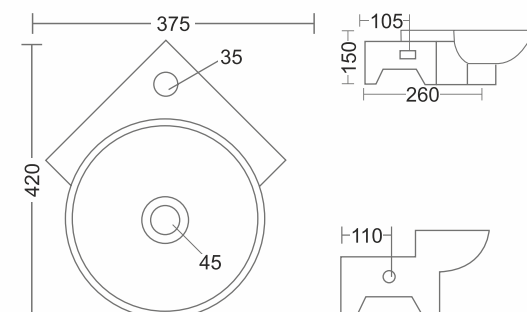
MILANO - 5026

550 x 460 x 355mm
22" x 18"
Weight: 20Kg.



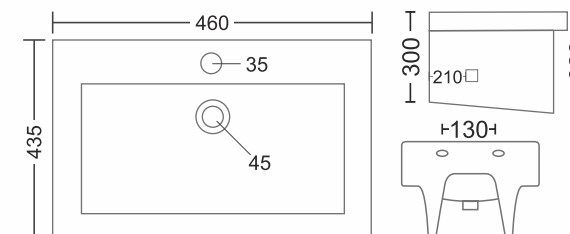
SMART CORNER - 5018

375 x 420 x 150mm
15" x 17"
Weight: 06Kg.



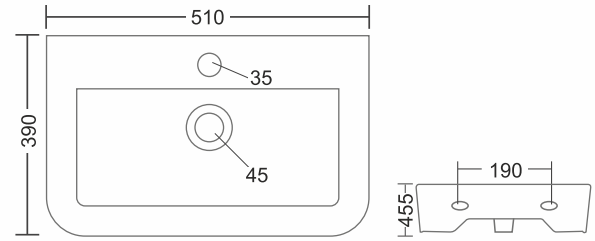
SMALL ORCHID - 5027

460 x 435 x 320mm
18" x 17"
Weight: 27Kg.



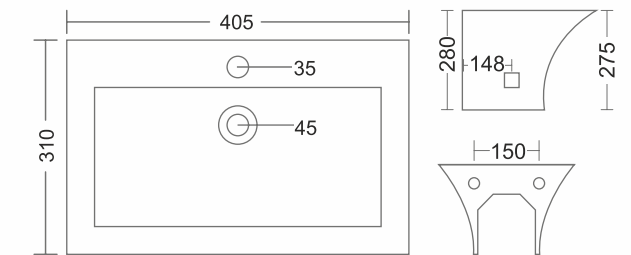
MARIN - 5028

510 x 390 x 155mm
20" x 16"
Weight: 12Kg.



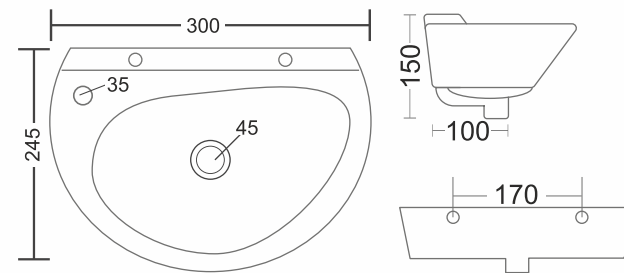
META - 5031

405 x 310 x 280mm
16" x 12"
Weight: 15Kg.



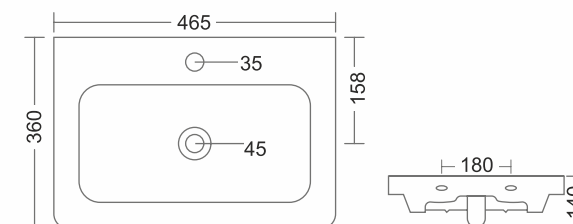
MINI - 5029

300 x 245 x 150mm
12" x 09"
Weight: 07Kg.



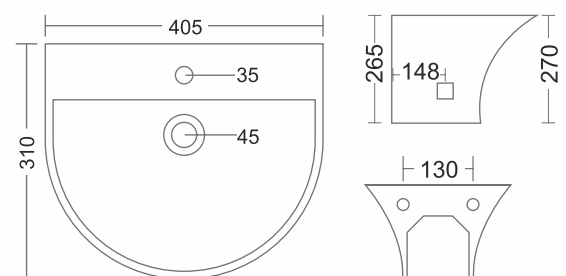
FUSION - 5032

465 x 360 x 140mm
19" x 14"
Weight: 12Kg.



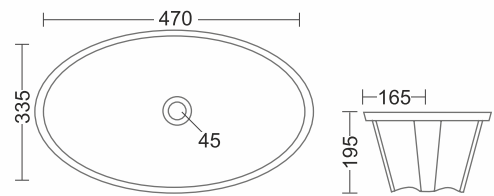
DEO - 5030

405 x 310 x 265mm
16" x 12"
Weight: 11Kg.



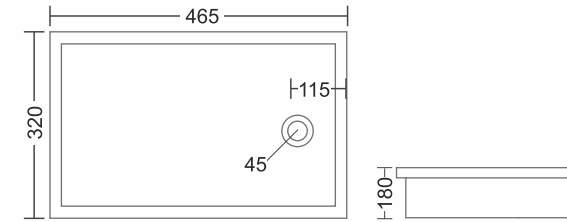
SMALL OVAL - 5011

470 x 335 x 195mm
19" x 13"
Weight: 08Kg.



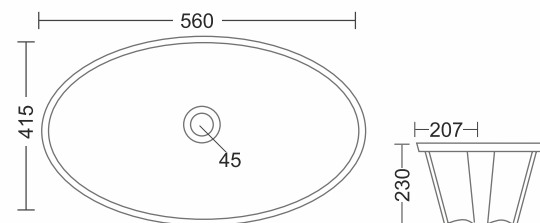
LAB SINK - 5014

465 x 320 x 180mm
19" x 13"
Weight: 10Kg.



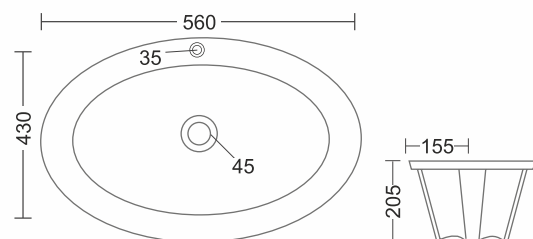
BIG OVAL - 5012

560 x 415 x 230mm
22" x 16"
Weight: 12Kg.



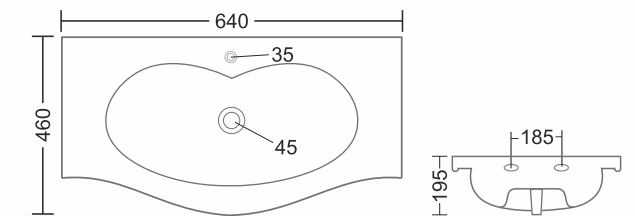
SOGO TOP COUNTER - 5013

560 x 430 x 205mm
22" x 17"
Weight: 13Kg.



HEART COUNTER - 5021

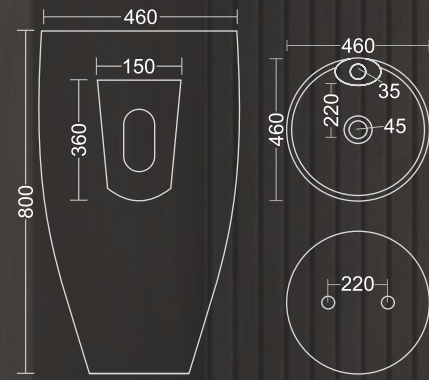
640 x 460 x 195mm
26" x 18"
Weight: 17Kg.



One Piece Basin. BASIN

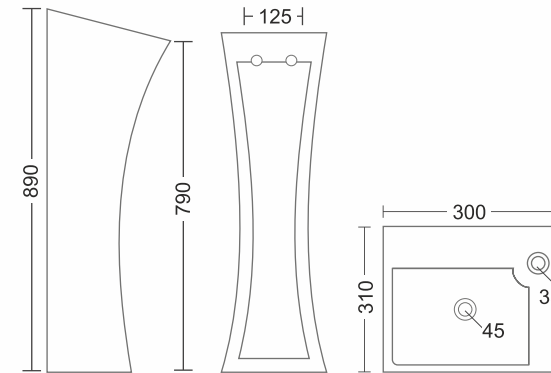
BOSS - 6003

460 x 460 x 800mm
18" x 18"
Weight: 30Kg.



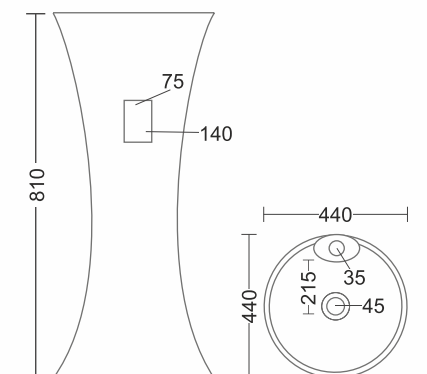
PRINCE - 6002

300 x 310 x 890mm
12" x 13"
Weight: 21Kg.



MEGA - 6004

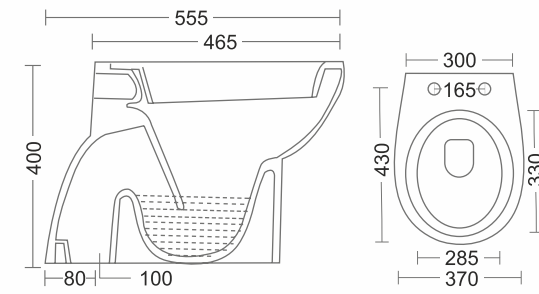
440 x 440 x 810mm
18" x 18"
Weight: 25Kg.





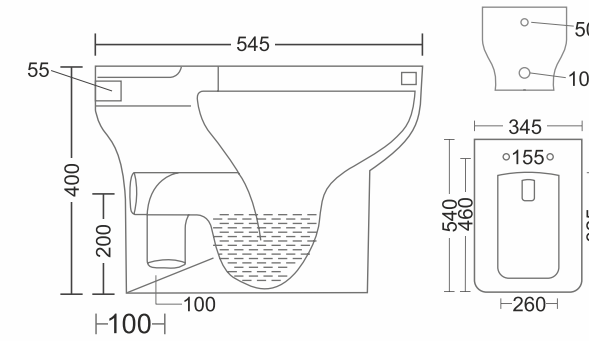
CONSILD - 7001

555 x 370 x 400mm
Weight: 17Kg.



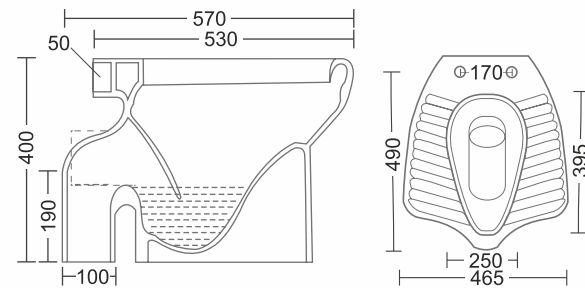
EUROPA ('S' & 'P') - 7004

545 x 345 x 400mm
Weight: 23Kg.
Seat Cover No.: 743



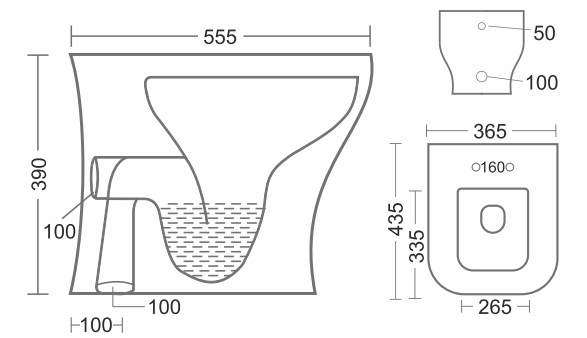
ANGLO ('S' & 'P') - 7002

570 x 465 x 400mm
Weight: 20Kg.



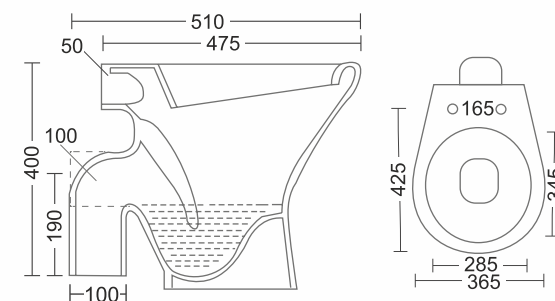
LAVISH ('S' & 'P') - 7005

555 x 365 x 390mm
Weight: 27Kg.
Seat Cover No.: 743



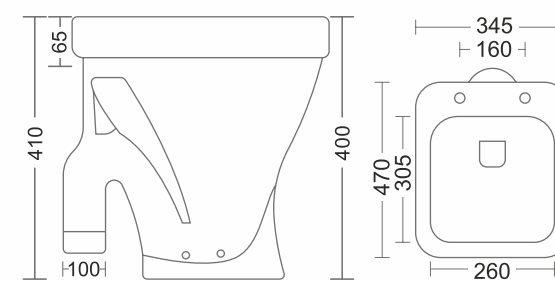
PERRY ('S' & 'P') - 7003

510 x 365 x 400mm
Weight: 14Kg.



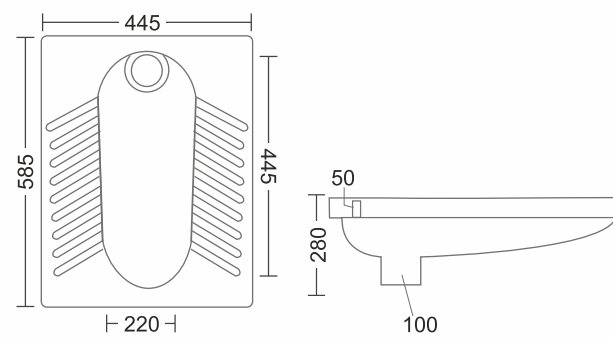
THAR - 7006

470 x 345 x 410mm
'S' Trap
Weight: 18Kg.



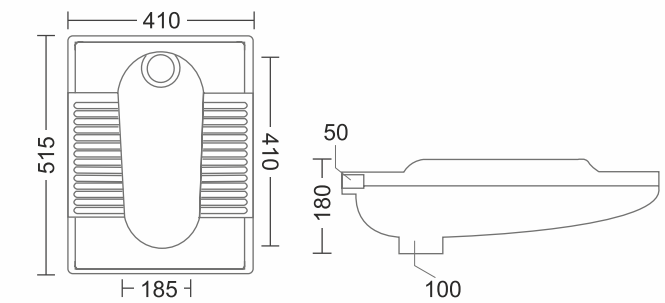
ORISSA PAN 23" - 8001

585 x 445 x 280mm
Weight: 16Kg.



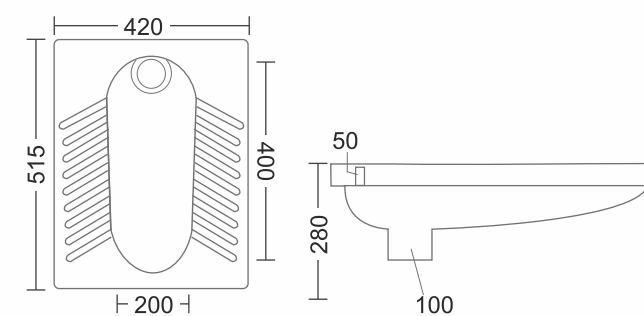
CT PAN 20" - 8003

515 x 410 x 180mm
Weight: 12Kg.



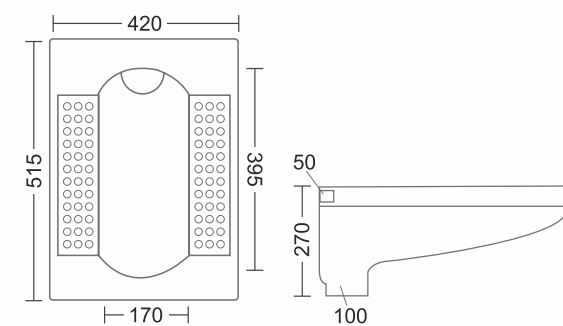
ORISSA PAN 20" - 8002

515 x 420 x 280mm
Weight: 13Kg.



AQUA PAN - 8004

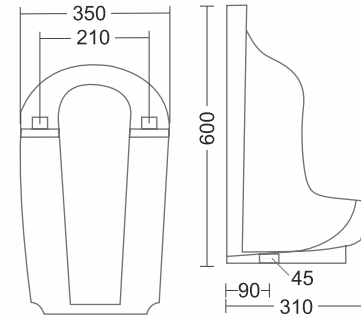
515 x 420 x 270mm
Weight: 16Kg.





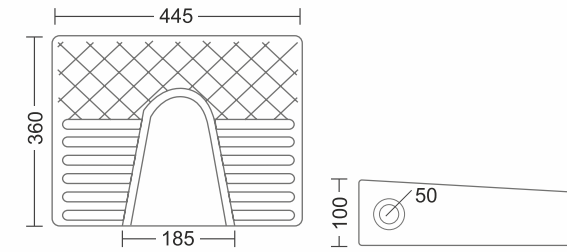
LARGE - 9001

310 x 350 x 600mm
Weight: 15Kg.



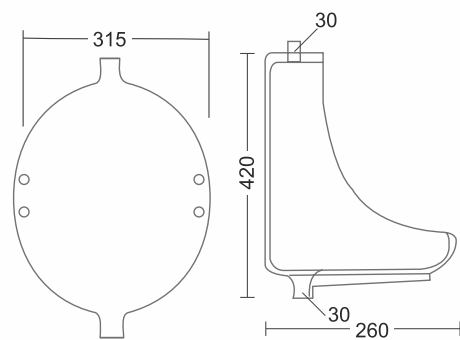
SQUATTING - 9004

445 x 360 x 100mm
Weight: 10Kg.



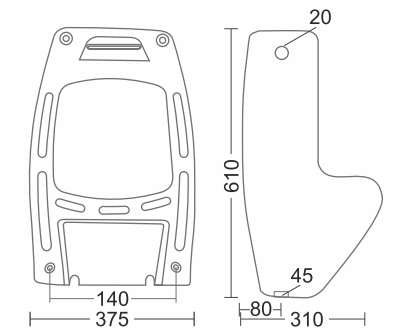
FLATBACK - 9002

260 x 315 x 420mm
Weight: 07Kg.



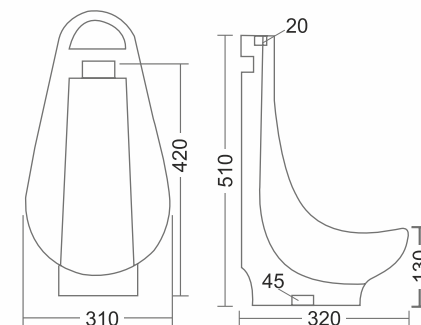
YUREKA - 9005

310 x 375 x 610mm
Weight: 18Kg.



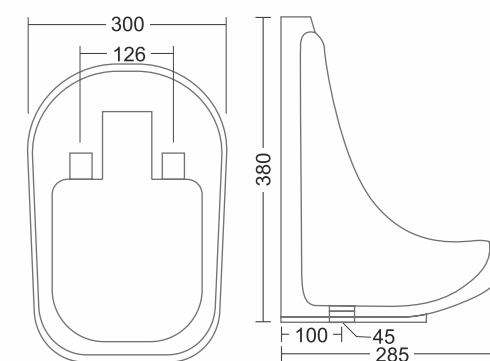
RIO - 9003

320 x 310 x 510mm
Weight: 08Kg.



NANO - 9006

285 x 300 x 380mm
Weight: 10Kg.



Designer One Piece & Wall Hung Closet. WALL HUNG



JUMBO - FOREST

Weight: 46Kg.



ULTRA - FOREST

Weight: 45Kg.



LOTTO - FOREST

Weight: 22Kg.



KERO - FOREST

Weight: 22Kg.



SPANIA - FOREST

Weight: 48Kg.



JUMBO - CHOCO

Weight: 46Kg.



Designer One Piece & Wall Hung Closet. HUNG



KERO - CHOCO

Weight: 22Kg.



LOTTO - CHOCO

Weight: 22Kg.



ULTRA - CHOCO

Weight: 45Kg.

SPANIA - CHOCO

Weight: 48Kg.



Designer One Piece & Wall Hung Closet. WALL HUNG



JUMBO - BLACK

Weight: 46Kg.



LOTTO - BLACK

Weight: 22Kg.



ULTRA - BLACK

Weight: 45Kg.

KERO - BLACK

Weight: 22Kg.



SPANIA - BLACK

Weight: 48Kg.



Designer One Piece & Wall Hung Closet. WALL HUNG



JUMBO - PLATINUM

Weight: 46Kg.



ULTRA - PLATINUM

Weight: 45Kg.



SPANIA - ZEBRA

Weight: 48Kg.



SPANIA - PLATINUM

Weight: 48Kg.



KERO - PLATINUM

Weight: 22Kg.



LOTTO - PLATINUM

Weight: 22Kg.





POPPY SET - 01 Weight: 25Kg.



POPPY SET - 04 Weight: 25Kg.



POPPY SET - 05 Weight: 25Kg.



POPPY SET - 06 Weight: 25Kg.



POPPY SET - 07 Weight: 25Kg.



POPPY SET - 08 Weight: 25Kg.



POPPY SET - 10 Weight: 25Kg.

Designer Poppy Set.



POPPY SET - 14 Weight: 25Kg.



POPPY SET - 16 Weight: 25Kg.



POPPY SET - 17 Weight: 25Kg.



POPPY SET - 23 Weight: 25Kg.



POPPY SET - 25 Weight: 25Kg.



POPPY SET - 19 Weight: 25Kg.



POPPY SET - 20 Weight: 25Kg.



POPPY SET - 21 Weight: 25Kg.



POPPY SET - 26 Weight: 25Kg.



POPPY SET - 27 Weight: 25Kg.

Designer One Piece Basin. PIECE BASIN



BOSS - 01 18" X 18" | Weight: 30Kg.



BOSS - 02 18" X 18" | Weight: 30Kg.



BOSS - 03 18" X 18" | Weight: 30Kg.



BOSS - 07 18" X 18" | Weight: 30Kg.



BOSS - 08 18" X 18" | Weight: 30Kg.



BOSS - 09 18" X 18" | Weight: 30Kg.



BOSS - 04 18" X 18" | Weight: 30Kg.



BOSS - 05 18" X 18" | Weight: 30Kg.



BOSS - 06 18" X 18" | Weight: 30Kg.



MEGA - 01 17" X 17" | Weight: 25Kg.



MEGA - 02 17" X 17" | Weight: 25Kg.



MEGA - 03 17" X 17" | Weight: 25Kg.

Designer One Piece Basin. PIECE BASIN



MEGA - 04 17" X 17" | Weight: 25Kg.



MEGA - 05 17" X 17" | Weight: 25Kg.



MEGA - 06 17" X 17" | Weight: 25Kg.



MEGA - 10 17" X 17" | Weight: 25Kg.



MEGA - 11 17" X 17" | Weight: 25Kg.



MEGA - 12 17" X 17" | Weight: 25Kg.



MEGA - 07 17" X 17" | Weight: 25Kg.



MEGA - 08 17" X 17" | Weight: 25Kg.



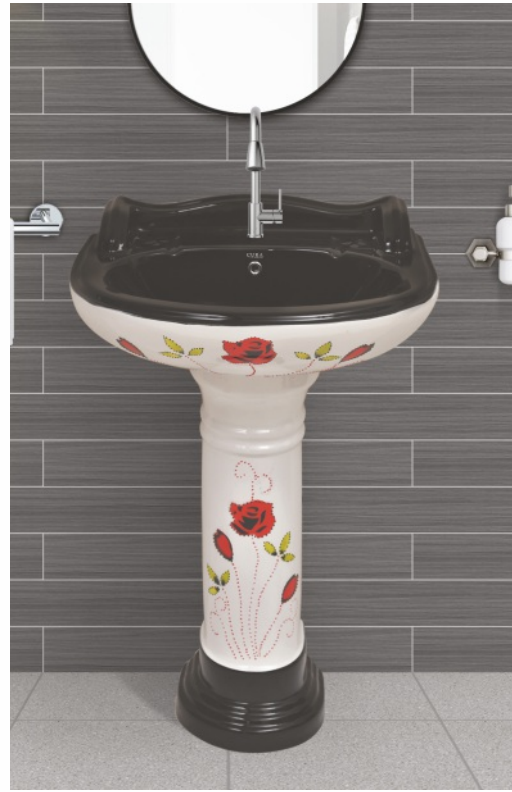
MEGA - 09 17" X 17" | Weight: 25Kg.



MEGA - 06 17" X 17" | Weight: 25Kg.



SERENA SET - 01
Weight: 25Kg.



SERENA SET - 02
Weight: 25Kg.



SERENA SET - 03
Weight: 25Kg.



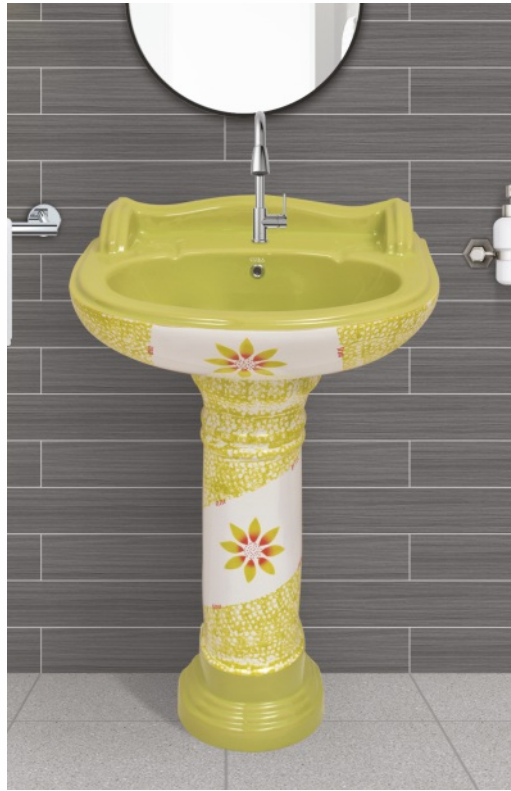
SERENA SET - 07
Weight: 25Kg.



SERENA SET - 08
Weight: 25Kg.



SERENA SET - 09
Weight: 25Kg.



SERENA SET - 04
Weight: 25Kg.



SERENA SET - 05
Weight: 25Kg.



SERENA SET - 06
Weight: 25Kg.



SAMITE SET - 01
Weight: 25Kg.



SAMITE SET - 02
Weight: 25Kg.



SAMITE SET - 03
Weight: 25Kg.



SAMITE SET - 04
Weight: 22Kg.



SAMITE SET - 05
Weight: 22Kg.



SAMITE SET - 06
Weight: 22Kg.



STERLING SET - 02
Weight: 30Kg.



STERLING SET - 03
Weight: 30Kg.



STERLING SET - 04
Weight: 30Kg.



SAMITE SET - 07
Weight: 22Kg.



SAMITE SET - 08
Weight: 22Kg.



STERLING SET - 01
Weight: 30Kg.



STERLING SET - 05
Weight: 30Kg.



SOPHIA SET - 01
Weight: 25Kg.



SOPHIA SET - 02
Weight: 25Kg.

DESIGNER VITROSA SET.



SOPHIA SET - 03
Weight: 25Kg.



SOPHIA SET - 04
Weight: 25Kg.



SOPHIA SET - 05
Weight: 25Kg.



SPACY SET - 04
Weight: 27Kg.



SPACY SET - 05
Weight: 27Kg.



SPACY SET - 06
Weight: 27Kg.



SPACY SET - 01
Weight: 27Kg.



SPACY SET - 02
Weight: 27Kg.



SPACY SET - 03
Weight: 27Kg.



SERENA SET - 02

Designer Table Top. TABLE TOP



CRYSTA - 05

17" x 17"
Weight: 09Kg.



CRYSTA - 01

17" x 17"
Weight: 09Kg.



CRYSTA - 02

17" x 17"
Weight: 09Kg.



CRYSTA - 03

17" x 17"
Weight: 09Kg.



CRYSTA (BLACK) - 04

17" x 17"
Weight: 09Kg.



CRYSTA - 05

17" x 17"
Weight: 09Kg.



CRYSTA - 06

17" x 17"
Weight: 09Kg.



CRYSTA - 07

17" x 17"
Weight: 09Kg.



CRYSTA - 08

17" x 17"
Weight: 09Kg.



CRYSTA - 09

17" x 17"
Weight: 09Kg.

DESIGNER TABLE TOP



CRYSTA - 10

17" x 17"
Weight: 09Kg.



CRYSTA - 11

17" x 17"
Weight: 09Kg.



CRYSTA - 12

17" x 17"
Weight: 09Kg.



CRYSTA (CHOCO) - 19

17" x 17"
Weight: 09Kg.



CRYSTA - 20

17" x 17"
Weight: 09Kg.



CRYSTA - 21

17" x 17"
Weight: 09Kg.



CRYSTA - 13

17" x 17"
Weight: 09Kg.



CRYSTA - 14

17" x 17"
Weight: 09Kg.



CRYSTA - 15

17" x 17"
Weight: 09Kg.



CRYSTA - 22

17" x 17"
Weight: 09Kg.



CRYSTA - 23

17" x 17"
Weight: 09Kg.



CRYSTA - 24

17" x 17"
Weight: 09Kg.



CRYSTA - 16

17" x 17"
Weight: 09Kg.



CRYSTA (PLATINUM) - 17

17" x 17"
Weight: 09Kg.



CRYSTA (FOREST) - 18

17" x 17"
Weight: 09Kg.



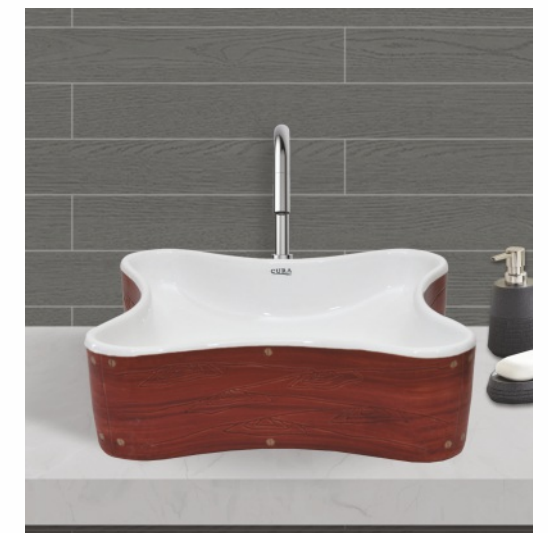
CRAZE - 01

17" x 17"
Weight: 10Kg.



CRAZE - 02

17" x 17"
Weight: 10Kg.



CRAZE - 03

17" x 17"
Weight: 10Kg.

DESIGNER TABLE TOP



SHALLOW - 01
22" x 16"
Weight: 10Kg.



SHALLOW - 02
22" x 16"
Weight: 10Kg.



SHALLOW - 03
22" x 16"
Weight: 10Kg.



OPEL - 07
19" x 15"
Weight: 10Kg.



OPEL - 08
19" x 15"
Weight: 10Kg.



OPEL - 09
19" x 15"
Weight: 10Kg.



OPEL - 01
19" x 15"
Weight: 10Kg.



OPEL - 02
19" x 15"
Weight: 10Kg.



OPEL - 03
19" x 15"
Weight: 10Kg.



OPEL - 10
19" x 15"
Weight: 10Kg.



OPEL - 11
19" x 15"
Weight: 10Kg.



CITIZEN - 01
21" x 14"
Weight: 10Kg.



OPEL - 04
19" x 15"
Weight: 10Kg.



OPEL - 05
19" x 15"
Weight: 10Kg.



OPEL - 06
19" x 15"
Weight: 10Kg.



CITIZEN - 02
21" x 14"
Weight: 10Kg.



CITIZEN - 03
21" x 14"
Weight: 10Kg.



CITIZEN - 04
21" x 14"
Weight: 10Kg.



CITIZEN - 05

21" x 14"
Weight: 10Kg.



CITIZEN - 06

21" x 14"
Weight: 10Kg.



CITIZEN - 07

21" x 14"
Weight: 10Kg.



PASSAT - 04

17" x 14"
Weight: 07Kg.



PASSAT - 05

17" x 14"
Weight: 07Kg.



PASSAT - 06

17" x 14"
Weight: 07Kg.



CITIZEN - 08

21" x 14"
Weight: 10Kg.



CITIZEN - 09

21" x 14"
Weight: 10Kg.



CITIZEN - 10

21" x 14"
Weight: 10Kg.



LIWA - 01

19" x 19"
Weight: 13Kg.



LIWA - 02

19" x 19"
Weight: 13Kg.



LIWA - 03

19" x 19"
Weight: 13Kg.



PASSAT - 01

17" x 14"
Weight: 07Kg.



PASSAT - 02

17" x 14"
Weight: 07Kg.



PASSAT - 03

17" x 14"
Weight: 07Kg.



LIWA - 04

19" x 19"
Weight: 13Kg.



LIWA - 05

19" x 19"
Weight: 13Kg.



LIWA - 06

19" x 19"
Weight: 13Kg.

DESIGNER TABLE TOP



LIWA (BLACK) - 07
19" x 19"
Weight: 13Kg.



LIWA (PLATINUM) - 08
19" x 19"
Weight: 13Kg.



LIWA (CHOCO) - 09
19" x 19"
Weight: 13Kg.



STAR - 03
17" x 17"
Weight: 11Kg.



STAR - 04
17" x 17"
Weight: 11Kg.



STAR - 05
17" x 17"
Weight: 11Kg.



LIWA (FOREST) - 10
19" x 19"
Weight: 13Kg.



LIWA - 11
19" x 19"
Weight: 13Kg.



LIWA - 12
19" x 19"
Weight: 13Kg.



STAR - 06
17" x 17"
Weight: 11Kg.



STAR - 07
17" x 17"
Weight: 11Kg.



AERO
23" x 16"
Weight: 16Kg.



LIWA - 13
19" x 19"
Weight: 13Kg.



STAR - 01
17" x 17"
Weight: 11Kg.



STAR - 02
17" x 17"
Weight: 11Kg.



SPA - 01
17" x 17"
Weight: 11Kg.



SPA - 02
17" x 17"
Weight: 11Kg.



SPA - 03
17" x 17"
Weight: 11Kg.



SPA - 04
17" x 17"
Weight: 11Kg.



SPA - 05
17" x 17"
Weight: 11Kg.



CORUS - 01
24" x 16"
Weight: 11Kg.



VENTO - 03
18" x 18"
Weight: 08Kg.



VENTO - 04
18" x 18"
Weight: 08Kg.



VENTO - 05
18" x 18"
Weight: 08Kg.



CORUS - 02
24" x 16"
Weight: 11Kg.



CORUS - 03
24" x 16"
Weight: 11Kg.



CORUS - 04
24" x 16"
Weight: 11Kg.



VENTO - 06
18" x 18"
Weight: 08Kg.



VENTO - 07
18" x 18"
Weight: 08Kg.



VENTO - 08
18" x 18"
Weight: 08Kg.



CORUS - 05
24" x 16"
Weight: 11Kg.



VENTO - 01
18" x 18"
Weight: 08Kg.



VENTO - 02
18" x 18"
Weight: 08Kg.



VENTO - 09
18" x 18"
Weight: 08Kg.



VENTO - 10
18" x 18"
Weight: 08Kg.



VENTO - 11
18" x 18"
Weight: 08Kg.



VENTO - 12
18" x 18"
Weight: 08Kg.



VENTO - 13
18" x 18"
Weight: 08Kg.



VENTO - 14
18" x 18"
Weight: 08Kg.



CAPSULE - 06
21" x 13"
Weight: 08Kg.



SIMCO - 01
22" x 15"
Weight: 11Kg.



SIMCO - 02
22" x 15"
Weight: 11Kg.



VENTO - 15
18" x 18"
Weight: 08Kg.



CAPSULE - 01
21" x 13"
Weight: 08Kg.



CAPSULE - 02
21" x 13"
Weight: 08Kg.



SIMCO - 03
22" x 15"
Weight: 11Kg.



SIMCO - 04
22" x 15"
Weight: 11Kg.



TRIO - 01
16" x 16"
Weight: 10Kg.



CAPSULE - 03
21" x 13"
Weight: 08Kg.



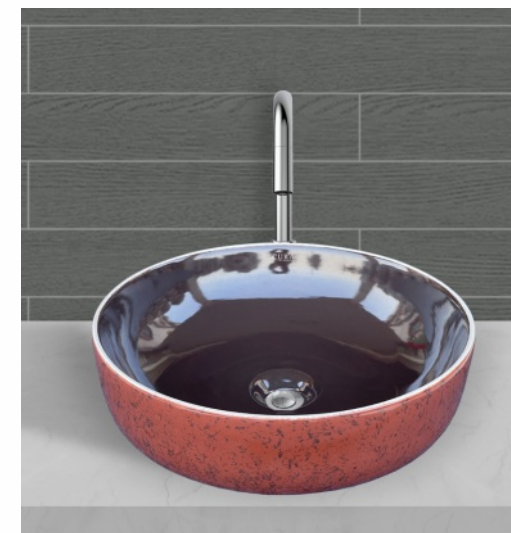
CAPSULE - 04
21" x 13"
Weight: 08Kg.



CAPSULE - 05
21" x 13"
Weight: 08Kg.



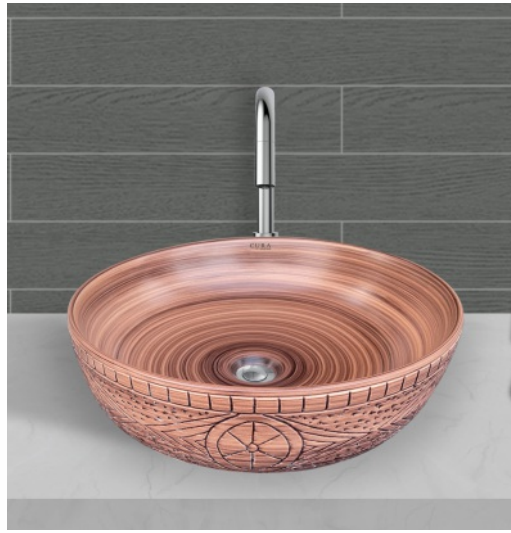
TRIO (BLACK) - 02
16" x 16"
Weight: 10Kg.



TRIO - 03
16" x 16"
Weight: 10Kg.



TRIO - 04
16" x 16"
Weight: 10Kg.



TRIO - 05
16" x 16"
Weight: 10Kg.



TRIO - 06
16" x 16"
Weight: 10Kg.



TRIO (CHOCO) - 07
16" x 16"
Weight: 10Kg.



TRIO (FOREST) - 08
16" x 16"
Weight: 10Kg.



TRIO (PLATINUM) - 09
16" x 16"
Weight: 10Kg.



CHERRY - 01
20" x 13"
Weight: 10Kg.



CHERRY - 05
20" x 13"
Weight: 10Kg.



CHERRY - 06
20" x 13"
Weight: 10Kg.



CHERRY - 07
20" x 13"
Weight: 10Kg.



CHERRY - 02
20" x 13"
Weight: 10Kg.



CHERRY - 03
20" x 13"
Weight: 10Kg.



CHERRY - 04
20" x 13"
Weight: 10Kg.



MANGO - 01
20" x 14"
Weight: 09Kg.



MANGO (BLACK) - 02
20" x 14"
Weight: 09Kg.



MANGO (PLATINUM) - 03
20" x 14"
Weight: 09Kg.



MANGO (FOREST) - 04
20" x 14"
Weight: 09Kg.



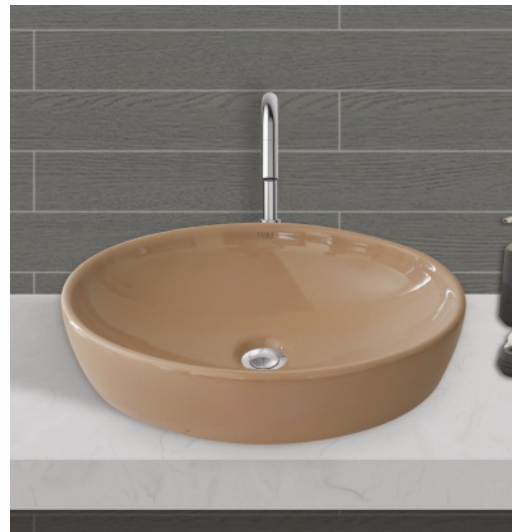
MANGO - 05
20" x 14"
Weight: 09Kg.



MANGO - 06
20" x 14"
Weight: 09Kg.



MANGO - 07
20" x 14"
Weight: 09Kg.



MANGO (CHOCO) - 08
20" x 14"
Weight: 09Kg.



VITRA - 01
17" x 17"
Weight: 11Kg.



VITRA - 02
17" x 17"
Weight: 11Kg.



VITRA - 03
17" x 17"
Weight: 11Kg.



VITRA - 04
17" x 17"
Weight: 11Kg.



VITRA - 05
17" x 17"
Weight: 11Kg.



PEARL - 01
16" x 16"
Weight: 07Kg.



PEARL - 02
16" x 16"
Weight: 07Kg.



GALAXY - 01
18" x 13"
Weight: 08Kg.



GALAXY - 02
18" x 13"
Weight: 08Kg.



GALAXY - 04
18" x 13"
Weight: 08Kg.



GALAXY - 05
18" x 13"
Weight: 08Kg.



GALAXY - 06
18" x 13"
Weight: 08Kg.



GALAXY - 07
18" x 13"
Weight: 08Kg.



GALAXY (BLACK) - 03
18" x 13"
Weight: 08Kg.



GALAXY (CHOCO) - 08
18" x 13"
Weight: 08Kg.



GALAXY (FOREST) - 10
18" x 13"
Weight: 08Kg.



GALAXY (PLATINUM) - 09
18" x 13"
Weight: 08Kg.

Color Water Closet.



PERRY - PINK
(‘S’ & ‘P’)
Weight: 14Kg. - Running Colors



PERRY - P.GREEN
(‘S’ & ‘P’)
Weight: 14Kg. - Running Colors



COSILD - T.BLUE
Weight: 17Kg. - Running Colors



PERRY - RED BROWN
(‘S’ & ‘P’)
Weight: 14Kg. - Running Colors



PERRY - MAGENTA
(‘S’ & ‘P’)
Weight: 14Kg. - Special Color



PERRY - A.BLUE
(‘S’ & ‘P’)
Weight: 14Kg. - Special Color



710 - REGULAR
Weight: 1.5Kg.
Product No.: 1003
Softclose Seat Cover



729 - SLIM
Weight: 1.5Kg.
Product No.: 1001, 2001
Softclose Seat Cover



735 - SLIM
Weight: 1.5Kg.
Product No.: 1002, 1008
Softclose Seat Cover

Seat Cover.



735 - REGULAR
Weight: 1.5Kg.
Product No.: 2004
Softclose Seat Cover



740 - SLIM
Weight: 1.5Kg.
Product No.: 1006, 1009, 1014, 1021, 2005, 2009, 2011
Softclose Seat Cover



743 - SLIM
Weight: 1.5Kg.
Product No.: 1007, 1017, 1018, 1019 | 2006, 2007, 2008, 2010, 2012 | 7004, 7005
Softclose Seat Cover



775 - SLIM
Weight: 1.5Kg.
Product No.: 2002
Softclose Seat Cover



784 - SLIM
Weight: 1.5Kg.
Product No.: 1005, 1015
Softclose Seat Cover



792 - SLIM
Weight: 1.5Kg.
Product No.: 1004, 1022
Softclose Seat Cover



CONSILD / PERRY
Weight: 01Kg.



ANGLO S&P
Weight: 01Kg.
Product No.: 7002



666
Weight: 1.5Kg.
Product No.: 1023
Softclose Seat Cover

Flush Tank.



Center Push Single Flush (Designer)



Side Handle Single Flush



Center Push Dual Flush



Center Push Single Flush



Fitting Accessories.



Wall Hung Stand



Wall Hung Rack Bolt



Wash Basin Bolt

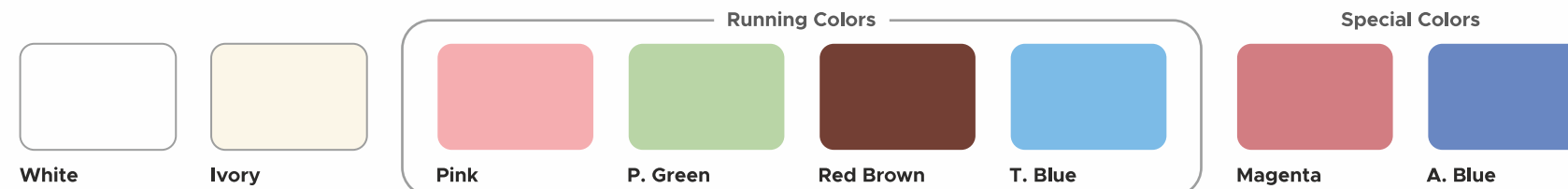


Waste Coupling



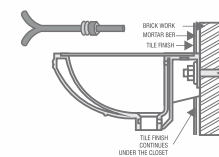
'P' Trap (4 Pcs)

Available Colors.



Note: Above printed colours may differ from colours of ceramic because printing limitations. For true selection, refer to actual sample or shade board. Continuous innovation and improvement in manufacturing techniques and products are carried out regularly. We reserve the right to supply articles which may not correspond exactly with the particulars given in this catalogue.

Installation Instruction.

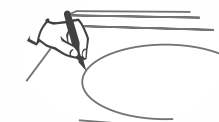


WALL HUNG BASIN

As per shown in the picture, the rag bolt must be grouted into the cement/concrete wall. The bolts must be fixed to the cement/concrete wall. Allow setting & checking than install it using nut and washer.

COUNTER WASHBASIN

- At the beginning
1. A skilled or experienced person should install counter lavatories.
 2. Avoid using adhesive with this product.
 3. Check the waste area and supply tubing if required.
 4. Do not open the lavatory from its protective carton until you are ready for installation.
 5. Please follow all local building and plumbing codes.



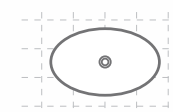
MATERIAL & TOOLS

Measure tape, Keyhole or saber saw, Hammer, Glasses, Rags or Paper toweling, Drill (1/2 dia, drill bit or larger), Pencil, sealant, sharp knife or scissors.

INSTALLATION OF LAVATORY

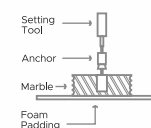
Please Note: Please install it in a way that future removal from underneath the counter top is possible without damaging the counter top.

1. Please check the desired location for clearance between the back splash, faucet, fixture and cabinet.
2. Please cut the template.
3. Please carefully trace the template on the counter top directed.
4. Please mark the faucet hole centerline on the counter top.
5. Please drill a 1/211 pilot on the inside of the cut line.



FOR WOOD COUNTER TOPS:

1. Mark and pre-drill the wood screw holes at the locations shown on the template.
2. Waterproof any exposed areas of wood.



FOR MARBLE COUNTER TOPS:

1. Position the counter top upside down on foam padding to protect the surface. Mark and drill 3/61 holes 5/8" deep at the locations shown on the template.
2. Use a setting tool and hammer to secure the anchors.



FOR ALL INSTALLATIONS:

1. If the counter top has not been installed, install it at this time.
2. Drill the faucet holes according to the faucet installation instructions.
3. Install the faucet to the counter top according to the manufacture's instructions.
4. Install the drain to the lavatory according to the manufacture's instructions.